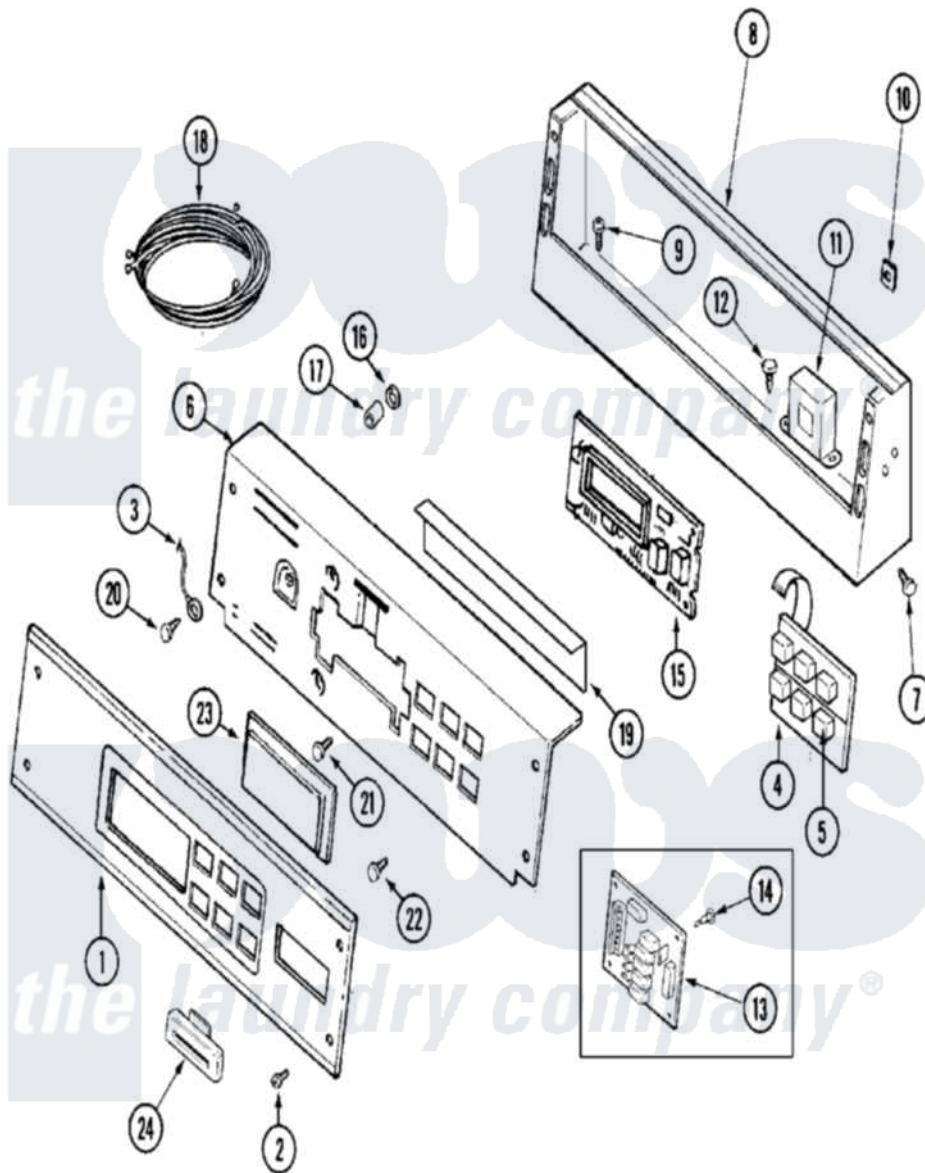


Maytag MAH21PDCXW 01 - CONTROL PANEL



Maytag [Commercial Maytag MAH21PDCXW Washer Parts](#) Parts Diagram 01 - CONTROL PANEL
 Click on the part number to view part

Item	Original Part Number	Replaced By	Status	Part Description
001	22003688	22004349		Facia - Pd/Ps
002	215506			Screw, Control Panel Overlay
003	205810			Wire, Ground
004	206808	W10135389		Push Button And Switch Assembly
"	215527	W10140652		Screw, 6-20 X 1/2
005	215517	W10131113		Push Button
006	22003676			Switch Brkt And Back Brkt
"	22003724			Bracket, Back
007	212276	W10116760		Screw
008	22003088			Console
"	22003089			Console
009	22002925	3370225		Screw
010	215003			Fastener, Panel And Bracket
011	22001960			Transformer
012	22002925	3370225		Screw
013	22004172			Relay Board Drs

014	33001204		Stand-Off, Ccontrol Board
015	22003689	22004335	Control Board
"	22004255	22004335	Control Board
016	912077		Locknut, Reader Harness
017	22002943		Stand-Off
018	22002782		Pad, Foam
"	22003675		Harness, Wire
"	22003830	3370225	Screw
"	22003858		EMI Suppression Filter, 16a
"	22003934		Wire Harness
019	22002954		Deflector, Water
020	210186	3370225	Screw
021	215526		Screw, Circuit Board
022	215527	W10140652	Screw, 6-20 X 1/2
023	22001962	W10131114	Cover, Display
024	NLA		Not Available
			MANUAL-USE & CARE

