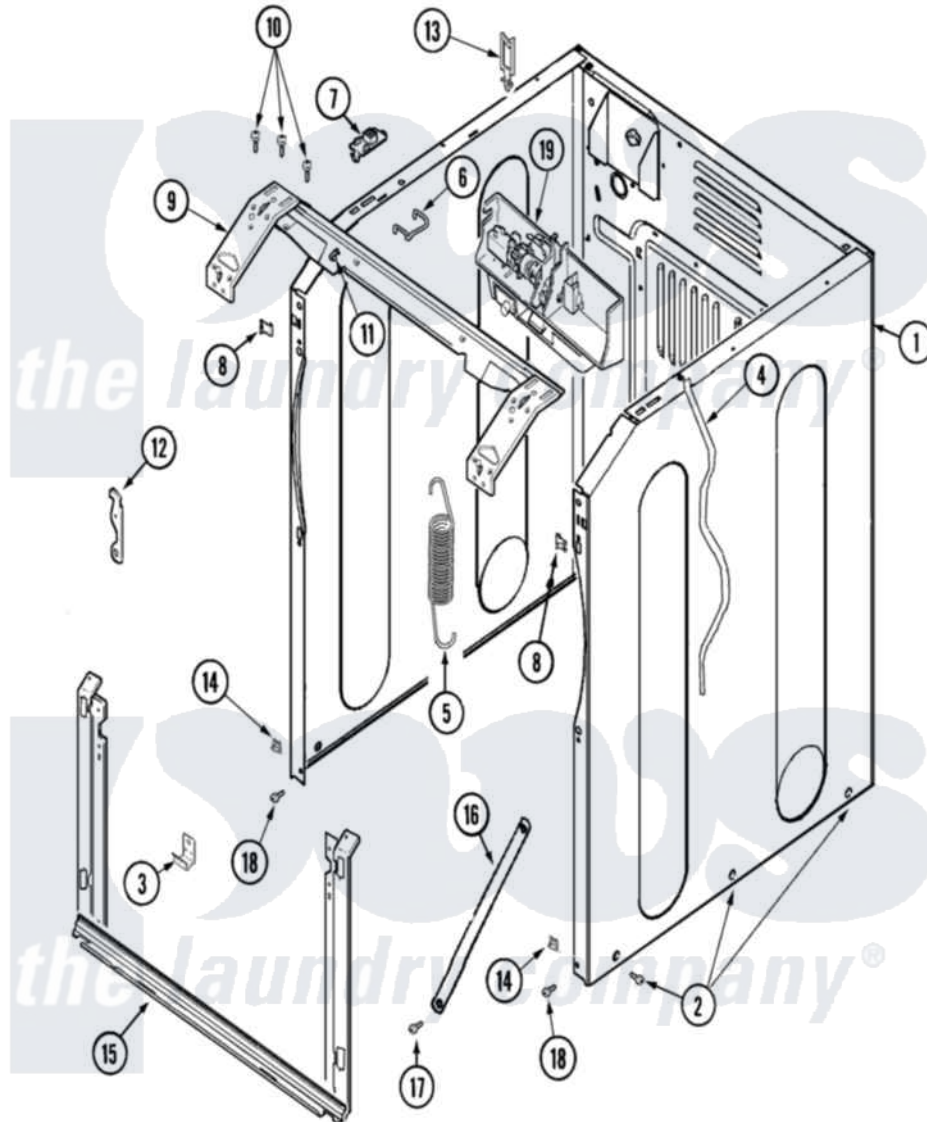


# Maytag MAH21PDDWQ 04 - CABINET-FRONT



Maytag [Commercial Maytag MAH21PDDWQ Washer Parts](#) Parts Diagram 04 - CABINET-FRONT  
 Click on the part number to view part

Item	Original Part Number	Replaced By	Status	Part Description
001	<a href="#">22003639</a>			Cabinet Assembly
"	NLA		Not Available	CABINET ASSY. (BISQUE AS PK)
002	<a href="#">213007</a>			Xfor Cabinet See Cabinet, Back
003	<a href="#">22002239</a>			Clip, Front Panel
004	<a href="#">33001836</a>			Strap, Top Cover Support
005	<a href="#">22003254</a>			Spring, Cabinet To Tub
006	<a href="#">22002297</a>			Support, Spring
007	<a href="#">22001997</a>			Spacer, Top Cover
008	<a href="#">22002049</a>			Clip Note: Clip, Front Panel
009	<a href="#">22003637</a>			BRACE ASSEMBLY, TOP CROSS CONTAINS ITEMS 12 & 13
010	<a href="#">22001995</a>			Screw Note: Screw, Tumbler Front And Shroud
011	<a href="#">22002014</a>			Clip, Harness To Support
012	<a href="#">33002597</a>			Hook, Security

013	<a href="#">22003298</a>		Retainer, Wire
014	<a href="#">22002013</a>		Stop, Shipping
015	<a href="#">22001995</a>		Screw Note: Screw, Tumbler Front And Shroud
"	22003638	<a href="#">22003652</a>	Shroud Support Assembly
016	22002259	<a href="#">22002767</a>	Brace, Cross
017	<a href="#">22001995</a>		Screw Note: Screw, Tumbler Front And Shroud
018	<a href="#">22001995</a>		Screw Note: Screw, Tumbler Front And Shroud
019	<a href="#">22003706</a>		Door Lock Assembly, Commercial

