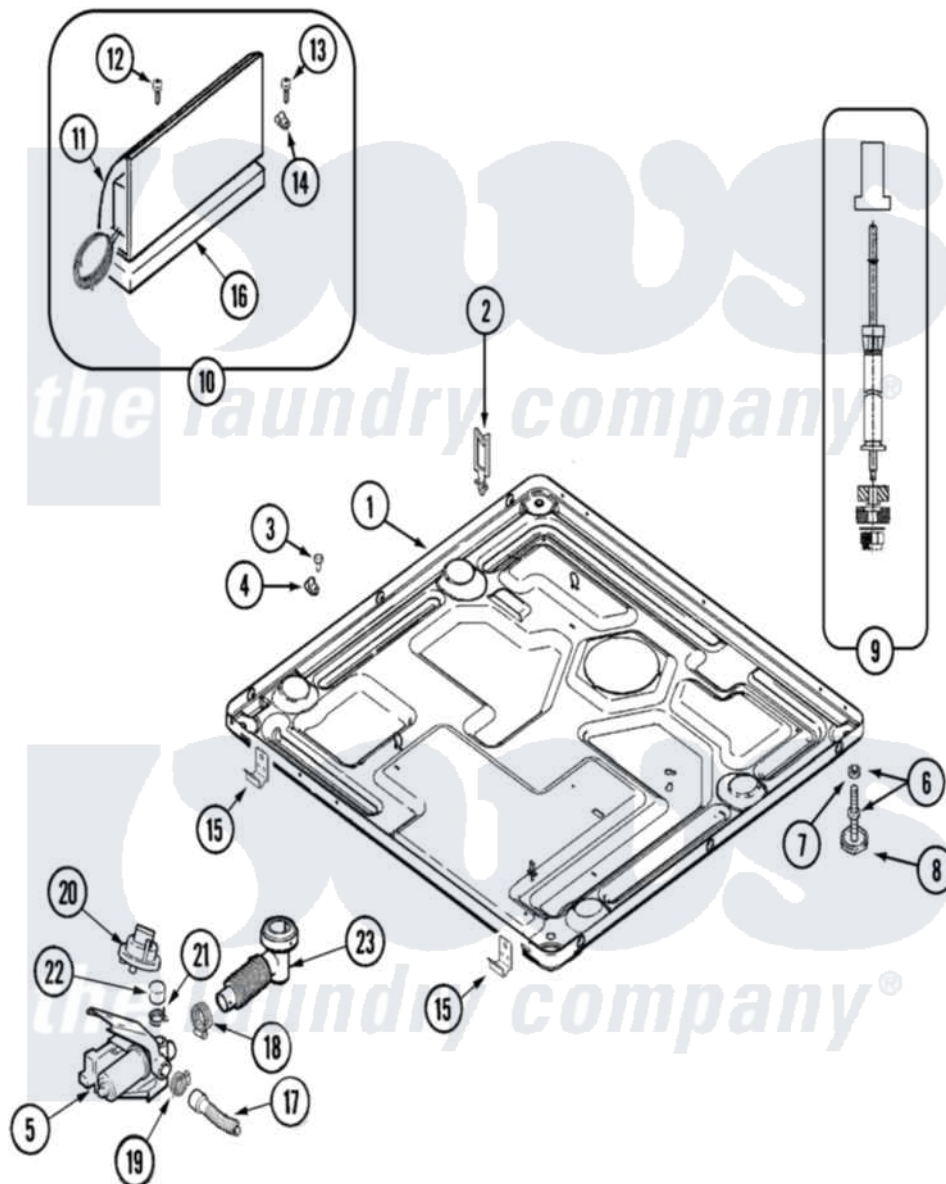


Maytag MAH21PDDWQ 08 - BASE & MOTOR CONTROL



Maytag [Commercial Maytag MAH21PDDWQ Washer Parts](#) Parts Diagram 08 - BASE & MOTOR CONTROL
 Click on the part number to view part

Item	Original Part Number	Replaced By	Status	Part Description
001	22003926	22003435		Base, Assembly
002	22003298			Retainer, Wire
003	Y313561			Screw---NA
004	22003327			Clamp, Lcd Harness To Cover
005	22003244	25001052		Pump Assembly
006	22003544			Adjustable Leg W/Foot And Nut
007	Y052740	62739		Nut, Lock
008	210684			Foot, Adjustable Leg
009	22001988			Strut Assembly-Rear
010	22004046			Control Assembly, Motor
"	22004473			Motor Control Assembly
011	22003614			Shield, Motor Control Drip
012	212276	W10116760		Screw
013	22002019			Screw, Wire Clip To Motor Cnt
014	22003327			Clamp, Lcd Harness To Cover

015	22001995		Screw Note. Screw, Tumbler Front And Shroud
"	22002239		Clip, Front Panel
016	22003548		BRACKET, MTG. (SR MOTOR CTL)
017	22003319	12001807	Drain Hose Kit
018	202515	596669	Clamp, Manifold
"	22001984	285655	Clamp, Hose
019	22002053	696392	Hose Clamp
020	22003728		Switch, Pressure Items 22-30 Listed As Series
021	22002853	285655	Clamp, Hose
022	22003268		Cap, Rubber
023	22003262		Hose, Tub To Pump Outlet

the laundry company[®]

the laundry company[®]

the laundry company[®]