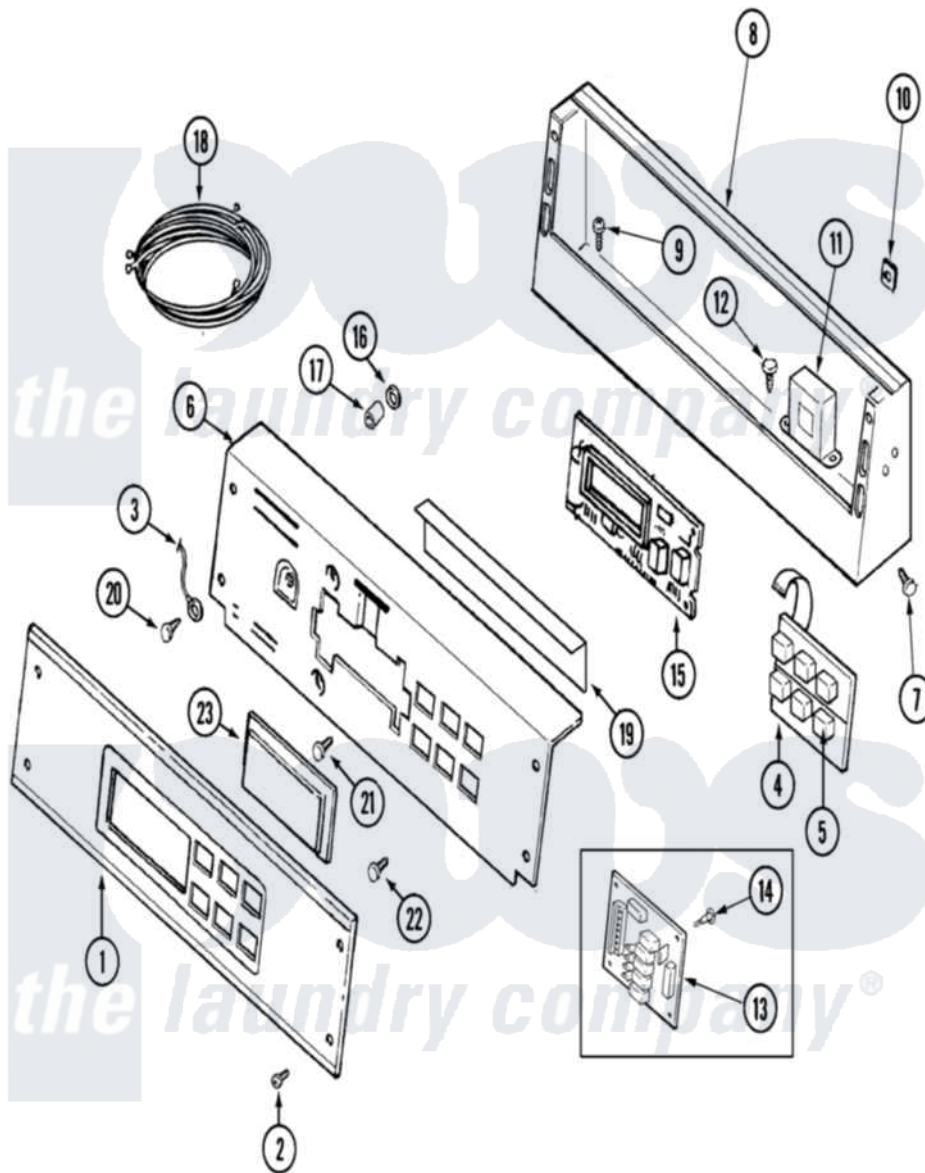


Maytag MAH21PDDXW 01 - CONTROL PANEL



Maytag Commercial Maytag MAH21PDDXW Washer Parts Parts Diagram 01 - CONTROL PANEL
 Click on the part number to view part

Item	Original Part Number	Replaced By	Status	Part Description
001	22004349			Facia - Pd/Ps
002	215506			Screw, Control Panel Overlay
003	205810			Wire, Ground
004	206808	W10135389		Push Button And Switch Assembly
"	215527	W10140652		Screw, 6-20 X 1/2
005	215517	W10131113		Push Button
006	22003676			Switch Brkt And Back Brkt
"	22003724			Bracket, Back
007	212276	W10116760		Screw
008	22003088			Console
"	22003089			Console
"	22003854	22003858		EMI Suppression Filter, 16a
009	22002925	3370225		Screw
010	215003			Fastener, Panel And Bracket
011	22001960			Transformer
012	22002925	3370225		Screw

013	22004172		Relay Board Drs
014	33001204		Stand-Off, Ccontrol Board
015	22004255	22004335	Control Board
016	912077		Locknut, Reader Harness
017	22002943		Stand-Off
018	22003934		Wire Harness
"	Y2205141		Harness, Wire
019	22002954		Deflector, Water
020	210186	3370225	Screw
021	215526		Screw, Circuit Board
022	215527	W10140652	Screw, 6-20 X 1/2
023	22001962	W10131114	Cover, Display
024	NLA	Not Available	MANUAL-USE & CARE

