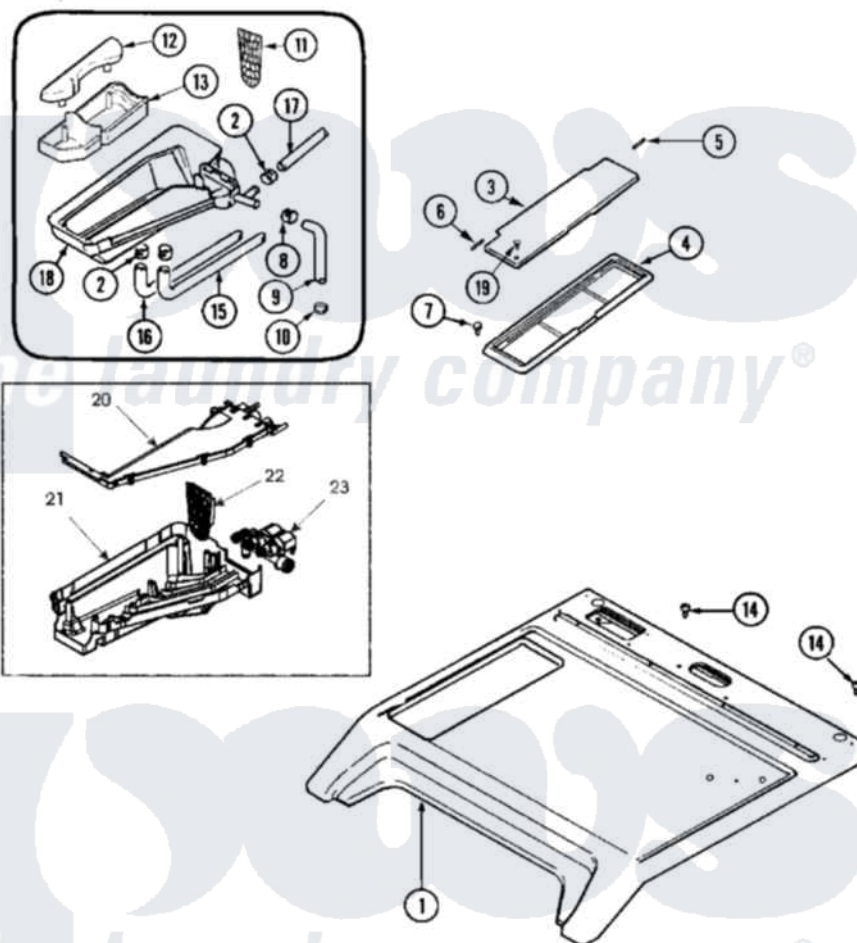


# Maytag MAH21PNAWW 02 - TOP



Maytag [Commercial Maytag MAH21PNAWW Washer Parts](#) Parts Diagram 02 - TOP  
 Click on the part number to view part

Item	Original Part Number	Replaced By	Status	Part Description
001	22004230	<a href="#">22004180</a>		Cover, Top
002	205161	<a href="#">489503</a>		Clamp
003	<a href="#">12001671</a>			Chemical Inject.dispenser Assembly
"	<a href="#">22002941</a>			Lid, Dispenser Commercial
004	<a href="#">22003665</a>			Bezel, Dispenser
005	Y912678	<a href="#">6-912678</a>		Pin- Hinge
006	<a href="#">Y912679</a>			Pin, Hinge
007	22002060	<a href="#">400021-1</a>		Screw
008	<a href="#">22001984</a>	<a href="#">285655</a>		Clamp, Hose
009	<a href="#">22003259</a>			Hose, Shower
010	201011	<a href="#">285655</a>		Clamp, Hose
011	<a href="#">22003321</a>			Grid, Dispenser
012	<a href="#">22002266</a>			Cap, Siphon
"	<a href="#">22003849</a>			Siphon Cap
013	<a href="#">22002265</a>			Cup, Siphon
"	<a href="#">22003848</a>			Siphon Cup

014	912365	<a href="#">3370225</a>	Screw
015	<a href="#">22002551</a>		Hose, Bleach
016	<a href="#">22003634</a>		Hose, Fabric Softener
017	<a href="#">22003457</a>		Hose, Detergent
018	<a href="#">22003320</a>		Bottom, Dispenser Assembly
"	<a href="#">22003322</a>		Top, Dispenser
"	<a href="#">22003723</a>		Bottom, Dispenser
019	<a href="#">22003681</a>	<a href="#">22003263</a>	Screw, Sump Cap
020	<a href="#">22003845</a>		Dispenser Cover
021	<a href="#">22003844</a>		Dispenser Bottom
022	<a href="#">22003321</a>		Grid, Dispenser
023	<a href="#">12001929</a>		Valve Seal Kit
"	22001640	<a href="#">285655</a>	Clamp, Hose
"	<a href="#">22003832</a>		Fill Hose, Dispenser
"	<a href="#">22003833</a>		Hose, Tub Shower
"	22003846	<a href="#">12001930</a>	Dispenser Valve Assembly Kit

