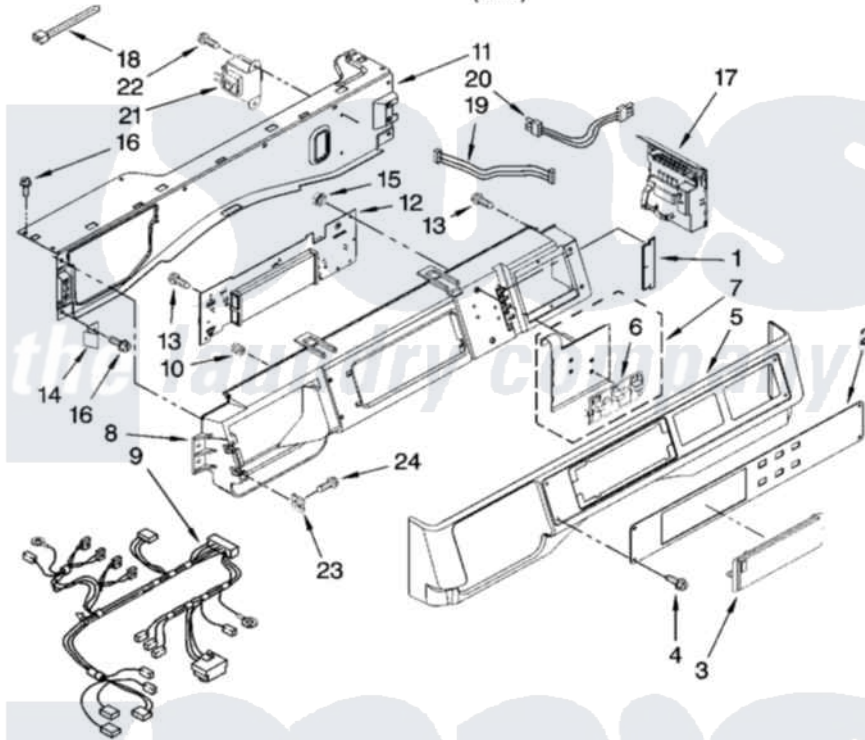


# Maytag MAH22PDAXW0 03 - CONTROL PANEL PARTS

## CONTROL PANEL PARTS

For Model: MAH22PDAXW0  
(White)



5

W10189967

Maytag [Commercial Maytag MAH22PDAXW0 Washer Parts](#) Parts Diagram 03 - CONTROL PANEL PARTS  
Click on the part number to view part

Item	Original Part Number	Replaced By	Status	Part Description
1	<a href="#">W10187276</a>			Seal, Console
2	<a href="#">W10137436</a>			Facia / Overlay
3	<a href="#">W10131114</a>			Cover, Display
4	<a href="#">W10137457</a>			Screw, 8-32 X 3/64
5	<a href="#">W10137458</a>			Console, Outer
6	<a href="#">W10131113</a>			Push Button
7	<a href="#">W10135389</a>			Push Button And Switch Assembly
8	<a href="#">W10137426</a>			Console, Inner
9	<a href="#">W10153921</a>			Harness, Wiring
10	<a href="#">W10189313</a>			Inserts
11	<a href="#">W10137396</a>			Bracket, Console
12	W10137414	<a href="#">W10329448</a>		Control-Elec
13	<a href="#">489136</a>			Screw, 3-24 X 1/32
14	<a href="#">W10137488</a>			Clip, Console
15	<a href="#">W10139046</a>			Nut 6-32
16	W10015090	<a href="#">489442</a>		Screw 3 2217757 Roller, Front

17	W10141556	<a href="#">W10269538</a>	Microcomputer, Machine Control
18	3429563	<a href="#">2205813</a>	Strap
19	<a href="#">W10155150</a>		Harness, Test
20	<a href="#">W10155149</a>		Harness, Wiring
21	<a href="#">W10131839</a>		Transformer 120 To 22.5 Vac
22	<a href="#">8540329</a>		Screw, 8-18 X 7/16
23	<a href="#">9781235</a>		NUt, U-Type
24	<a href="#">W10131119</a>		Screw, 8-18 X 5/16

