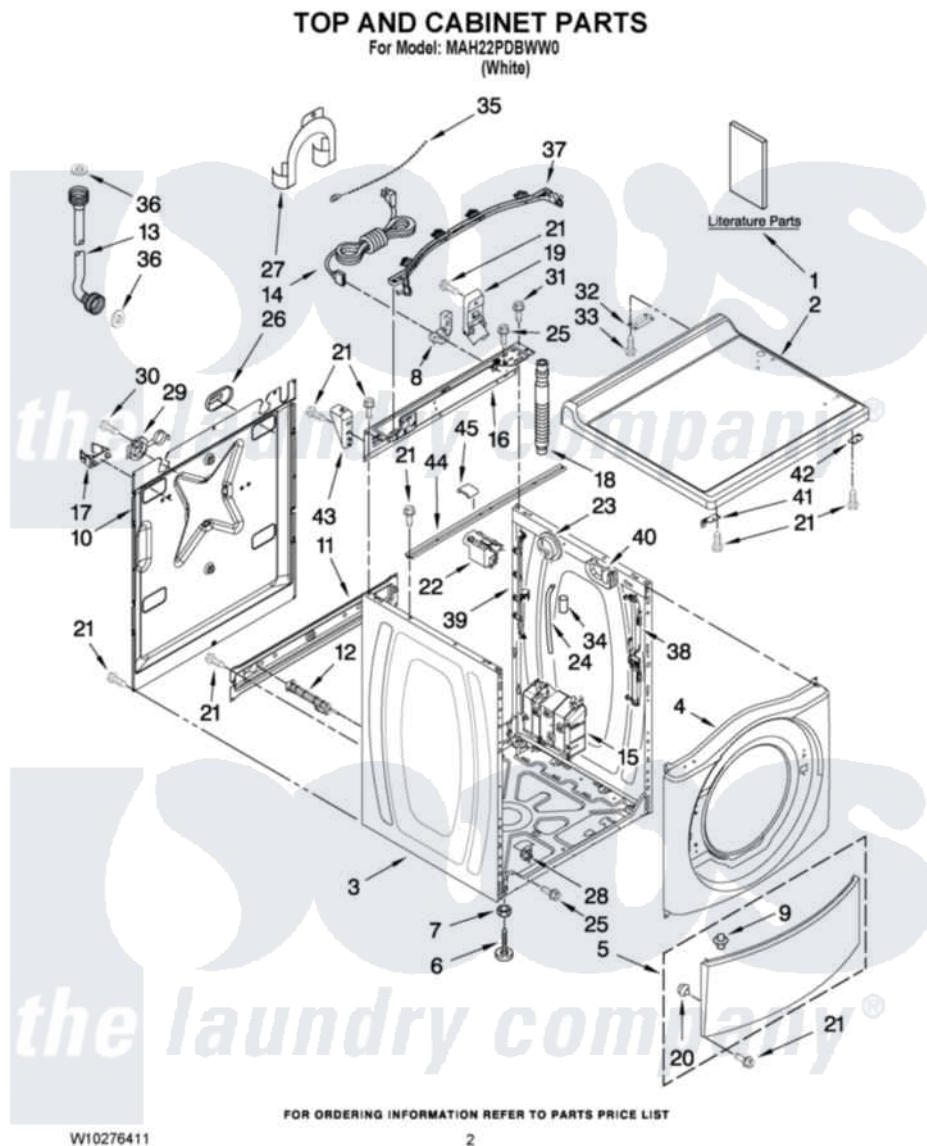


Maytag MAH22PDBWW0 01 - TOP AND CABINET PARTS



Maytag [Commercial Maytag MAH22PDBWW0 Washer Parts](#) Parts Diagram 01 - TOP AND CABINET PARTS
Click on the part number to view part

| Item | Original Part Number | Replaced By | Status | Part Description |
|------|---------------------------|---------------------------|---------------|---------------------------|
| 1 | W10277179 | | Not Available | INSTALLATION INSTRUCTIONS |
| " | W10273155 | | Not Available | TECH SHEET (ENGLISH) |
| " | W10273156 | | Not Available | TECH SHEET (FRENCH) |
| " | W10276411 | | | REPAIR PARTS LIST |
| 2 | W10137411 | | | Top |
| 3 | W10201831 | W10410294 | | Cabinet |
| 4 | W10112948 | W10306505 | | Panel, Front |
| 5 | 8540813 | 8540664 | | Toe Panel |
| 6 | W10245373 | | | Foot, Leveling |
| 7 | 3359452 | | | Nut, Lock |
| 8 | W10110676 | 8182635 | | Strain Relief |
| 9 | 8518891 | | | Rivet |
| 10 | 8540582 | | | Panel, Rear |
| 11 | W10189659 | | | Brace, Transport |
| 12 | 8540199 | W10285622 | | Bolt |
| 13 | W10194208 | 89503 | | Hose-Inlet |

| | | | |
|----|---------------------------|---------------------------|-------------------------------------------------------------------------|
| " | 8571378 | 89503 | Hose-Inlet |
| 14 | W10205500 | W10205499 | Cord, Power |
| 15 | W10197864 | | Motor Control Unit |
| 16 | W10161694 | | Brace, Rear |
| 17 | W10182936 | | Clamp, Tube- Transportation |
| 18 | W10114608 | | Hose, Drain |
| 19 | 8540607 | | Retainer, Hose Outlet |
| 20 | 238614 | | Bumper And Isolation |
| 21 | W10015090 | 489442 | Screw 3 2217757 Roller, Front |
| 22 | 8540230 | W10339736 | Filter, Interference |
| 23 | W10163980 | | Switch, Pressure |
| 24 | 8540294 | | Hose, Pressure Switch |
| 25 | 8540479 | | Screw, Grounding |
| 26 | 8540268 | | Cover, Transport |
| 27 | 8540021 | W10280024 | U-Bend, Drain Hose |
| 28 | W10085220 | | Microswitch |
| 29 | 8540728 | 8182699 | Grommet, Cord Support |
| 30 | 8540727 | 8182201 | Screw, 3 X 8 mm |
| 31 | 8540329 | | Screw, 8-18 X 7/16 |
| 32 | 8565018 | | Assembly, Hinge And Pin |
| 33 | 342055 | 488627 | Screw |
| 34 | 2161302 | 2162499 | Sleeve, Suction Line |
| 35 | 3347868 | W10339879 | Tie, Cable |
| 36 | 3976300 | 16123 | Washer Inlet-Hose Miscellaneous Parts Must be Ordered Separately. |
| 37 | W10168548 | | Harness Channel, Top Rear |
| 38 | W10168546 | | Harness Channel, Side Front |
| 39 | W10168547 | | Harness Channel, Side Rear |
| 40 | 8540643 | | Bracket, Spring |
| 41 | W10137445 | | Bracket - Top Panel, Left |
| 42 | W10137444 | | Bracket - Top Panel, Right |
| 43 | W10137398 | | Stop, Top Panel |
| 44 | 8540721 | | Brace, Top |
| 45 | 8283273 | | Damper, Brace |

