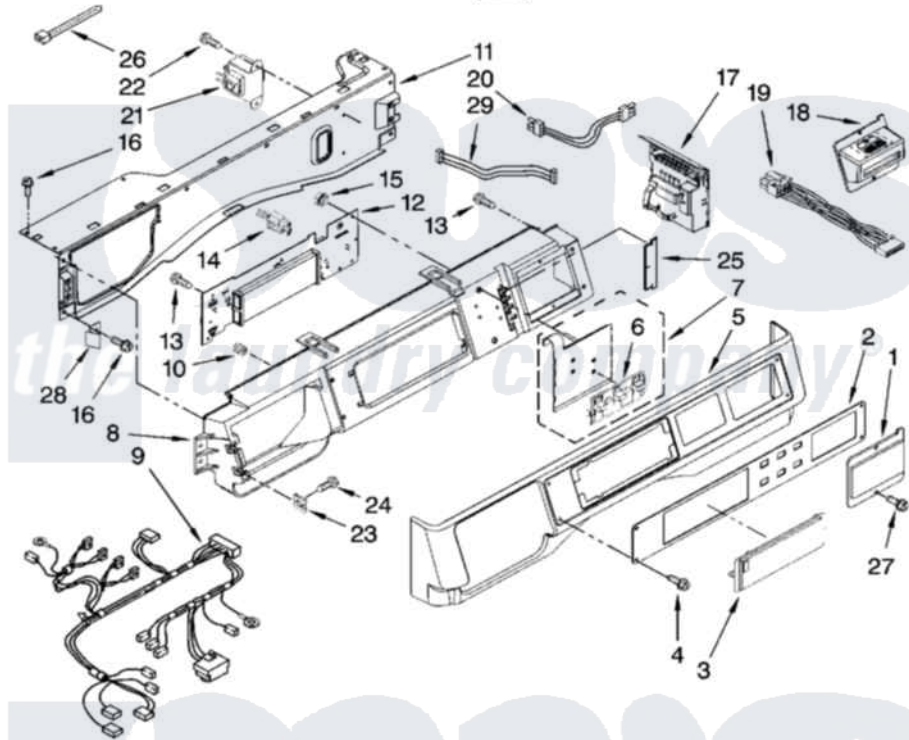


Maytag MAH22PRAWW1 03 - CONTROL PANEL PARTS

CONTROL PANEL PARTS

For Model: MAH22PRAWW1
(White)



5

W10244306

Maytag [Commercial Maytag MAH22PRAWW1 Washer Parts](#) Parts Diagram 03 - CONTROL PANEL PARTS
Click on the part number to view part

| Item | Original Part Number | Replaced By | Status | Part Description |
|------|---------------------------|---------------------------|--------|---|
| 1 | W10137477 | W10213906 | | Cover, Card Reader |
| 2 | W10137437 | | | Facia / Overlay |
| 3 | W10131114 | | | Cover, Display |
| 4 | W10137457 | | | Screw, 8-32 X 3/64 |
| 5 | W10137458 | | | Console, Outer |
| 6 | W10131113 | | | Push Button |
| 7 | W10135389 | | | Push Button And Switch Assembly |
| 8 | W10137426 | | | Console, Inner |
| 9 | W10166474 | | | Harness, Wiring Main)(Includes Items 37, 38 And 39 On Page 2) |
| 10 | W10189313 | | | Inserts |
| 11 | W10137396 | | | Bracket, Console |
| 12 | W10137418 | W10329451 | | Control-Elec |
| 13 | 489136 | | | Screw, 3-24 X 1/32 |
| 14 | W10133282 | | | Switch, Jumper Service Vault |

| | | | |
|----|---------------------------|---------------------------|--------------------------------|
| 15 | W10139046 | | Nut 6-32 |
| 16 | W10015090 | 489442 | Screw 3 2217757 Roller, Front |
| 17 | W10141556 | W10269538 | Microcomputer, Machine Control |
| 18 | W10137454 | | Bezel, Card Reader |
| 19 | W10133304 | | Harness, Wiring Card Reader |
| 20 | W10155149 | | Harness, Wiring |
| 21 | W10131839 | | Transformer 120 To 22.5 Vac |
| 22 | 8540329 | | Screw, 8-18 X 7/16 |
| 23 | 9781235 | | NUt, U-Type |
| 24 | W10131119 | | Screw, 8-18 X 5/16 |
| 25 | W10187276 | | Seal, Console |
| 26 | 3429563 | 2205813 | Strap |
| 27 | W10001220 | | Screw, 3-24 X 3/8 |
| 28 | W10137488 | | Clip, Console |
| 29 | W10155150 | | Harness, Test |

