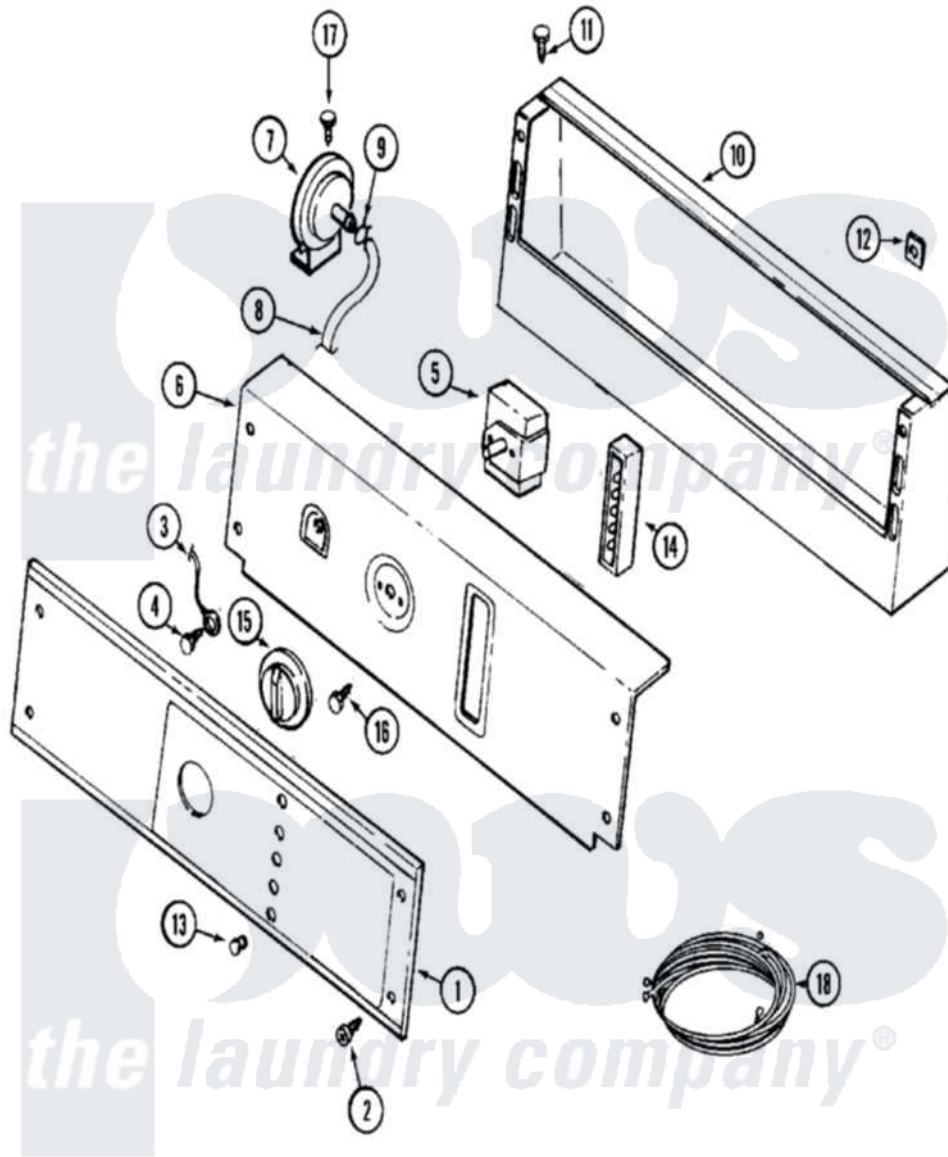


# Maytag MAT10CSAGL 01 - CONTROL PANEL



Maytag [Commercial Maytag MAT10CSAGL Washer Parts](#) Parts Diagram 01 - CONTROL PANEL  
 Click on the part number to view part

Item	Original Part Number	Replaced By	Status	Part Description
001	<a href="#">22001307</a>			Panel, Control
002	<a href="#">215506</a>			Screw, Control Panel Overlay
003	<a href="#">204807</a>			Ground Wire, Supp. Plte To Top Cover
004	210186	<a href="#">3370225</a>		Screw
005	<a href="#">205353</a>			Switch, DiAl-A-FABric
006	215570	<a href="#">22001592</a>		(WHT)
"	NLA		Not Available	(ALM)
007	<a href="#">22001308</a>			Switch, Water Level
008	212942	<a href="#">22001619</a>		Tube, Water Level Switch
009	410296	<a href="#">596669</a>		Clamp, Manifold
010	<a href="#">206780</a>			Control Cover Assembly
"	206780L	<a href="#">206780</a>		Control Cover Assembly
011	212276	<a href="#">W10116760</a>		Screw
012	<a href="#">215003</a>			Fastener, Panel And Bracket
013	<a href="#">215564</a>			Lens, Indicator Light
014	<a href="#">206881</a>			Indicator, Light

"	206882	<a href="#">W10133276</a>	Indicator, Five Light
015	<a href="#">206894</a>		Knob, Selector
"	215561	<a href="#">206894</a>	Knob, Selector
016	<a href="#">Y313588</a>	<a href="#">488234</a>	Screw 8-32 X 1/4
017	<a href="#">211294</a>	<a href="#">90767</a>	Screw, 8A X 3/8 HeX Washer Head Tapping
018	<a href="#">22001088</a>		Wire Harness, Main
"	<a href="#">22001093</a>		Wire Harness, Main

