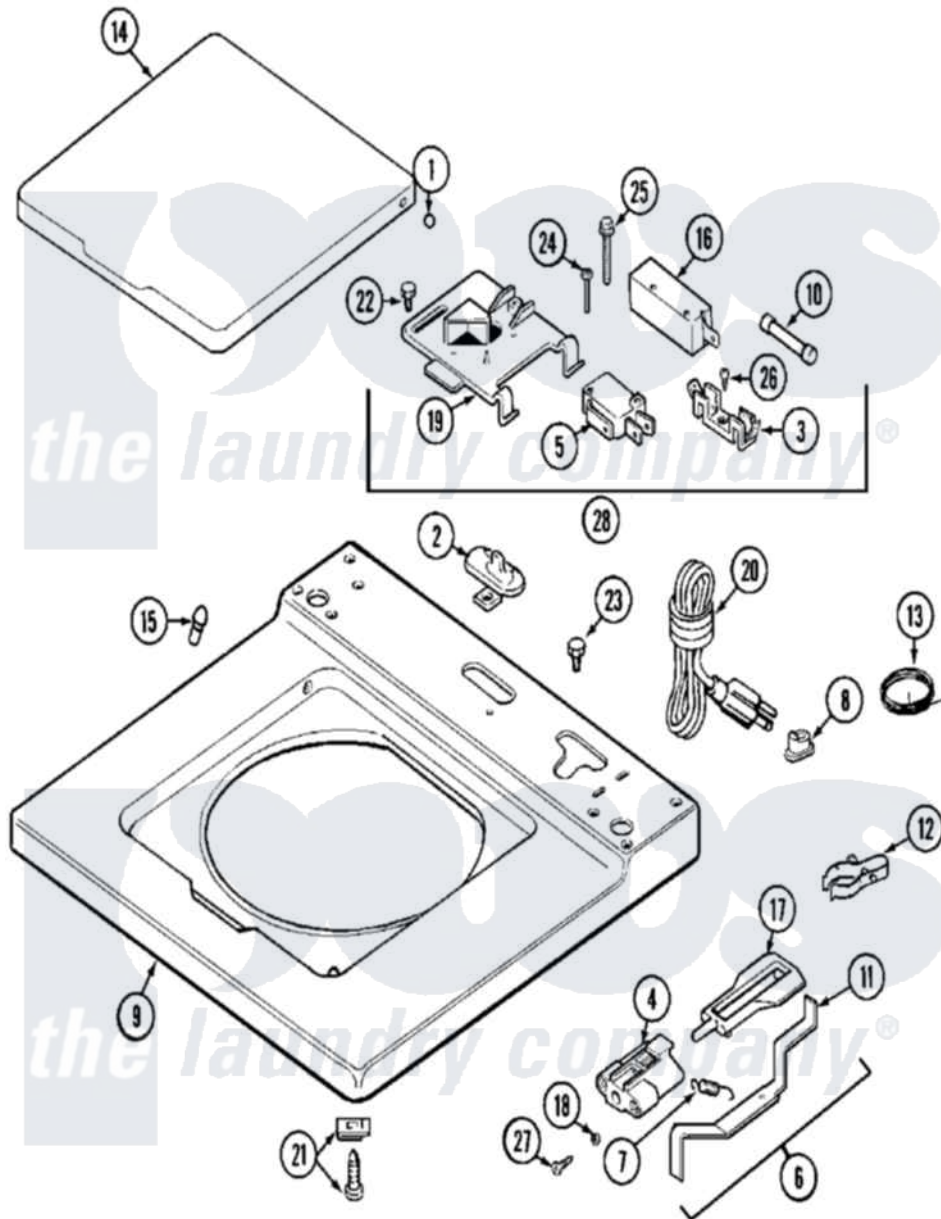


Maytag MAT10CSAGL 03 - TOP



Maytag [Commercial Maytag MAT10CSAGL Washer Parts](#) Parts Diagram 03 - TOP
 Click on the part number to view part

| Item | Original Part Number | Replaced By | Status | Part Description |
|------|--------------------------|--------------------------|---------------|---|
| 001 | 211726 | | | Hinge, Ball Lid |
| 002 | 207159 | 489355 | | Screw, 8 X 1/2 |
| " | 22001298 | | | Cap, Top Cover |
| 003 | 207167 | | | Block, Fuse |
| 004 | NLA | | Not Available | BRACKET, PLUNGER |
| 005 | 207166 | | | Switch, Check |
| 006 | 22001311 | | | Unbalance Lever Assembly |
| 007 | 213720 | | | Spring, Lid Switch |
| 008 | 211881 | | | Grommet, Cord Part Not Used-Gas Models Only |
| " | NLA | | Not Available | GROMMET, CORD |
| 009 | 22001310 | | Not Available | TOP COVER ASSEMBLY (WHT) |
| " | NLA | | Not Available | TOP COVER (ALM) |
| 010 | 207168 | 22001682 | | Switch Assembly, Lid W/4amp Fuse |
| 011 | 22001136 | | | Lever, Unbalance |

| | | | |
|-----|--------------------------|--------------------------|--------------------------------------|
| 012 | 301548 | | Clamp, Ground Wire |
| 013 | 204807 | | Ground Wire, Supp. Plte To Top Cover |
| 014 | 22001341 | | Lid W/Legend |
| " | 22001342 | 22002656 | Lid, With Legend |
| 015 | 212716 | | Bumper, Lid |
| 016 | 205415 | 279347 | Switch-Lid |
| 017 | 216255 | | Plunger, Lid Switch |
| 018 | 211500 | | Washer, Bracket To Top Cover |
| 019 | Y215699 | 22001678 | Bracket, Switch And Fuse |
| 020 | 205056 | 204590 | Cord, Power |
| " | 22001351 | | Not Available |
| 021 | 204445 | | Screw And Fastener Assembly |
| 022 | 207159 | 489355 | Screw, 8 X 1/2 |
| 023 | 210186 | 3370225 | Screw |
| 024 | 22001352 | | Screw, Check Switch |
| 025 | 213501 | | Screw, No.6-20 X 1-1/8 Inch |
| 026 | Y311711 | | Screw, Fuse Block |
| 027 | 910182 | 25-7809 | Screw, No.6-20 1/2 Flthd Torx |
| 028 | 207176 | 22001682 | Switch Assembly, Lid W/4amp Fuse |

