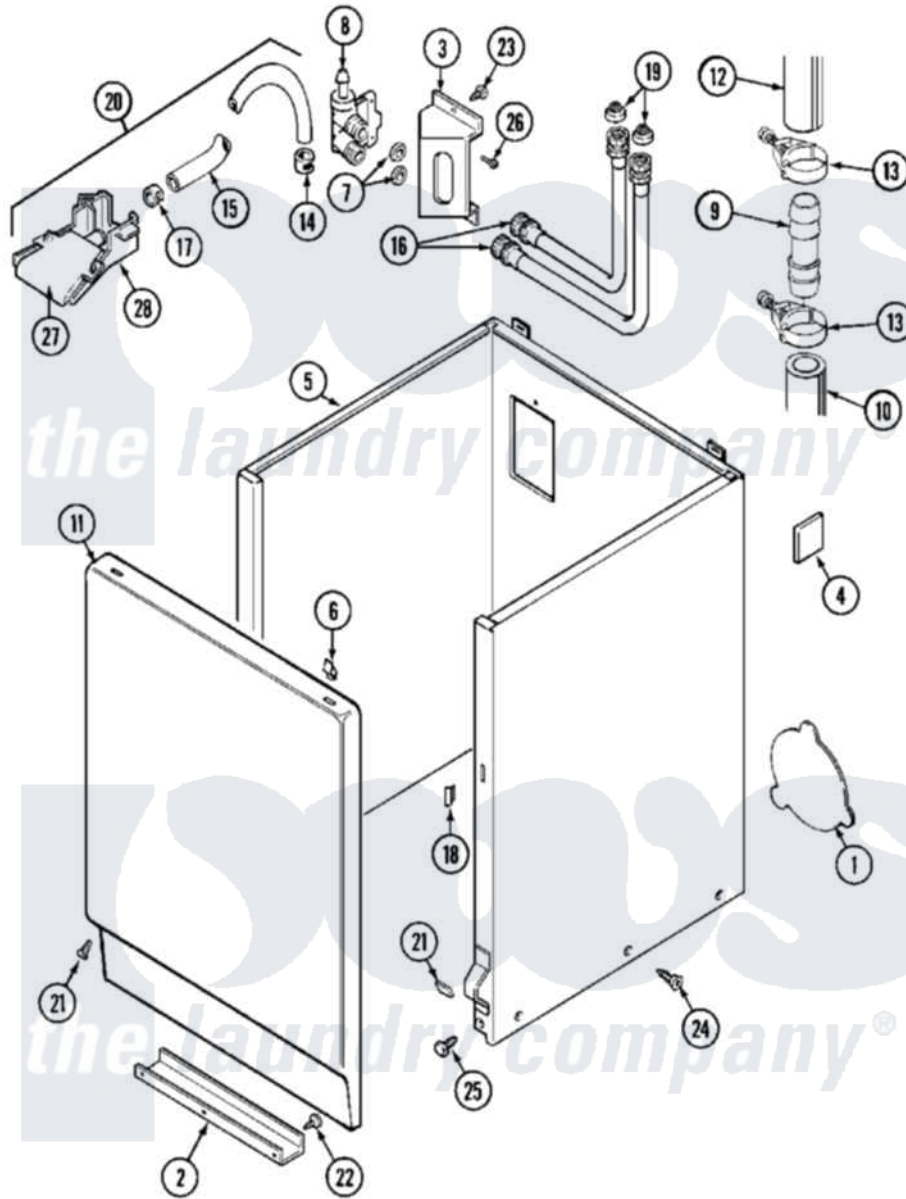


# Maytag MAT10CSAGL 04 - CABINET



Maytag [Commercial Maytag MAT10CSAGL Washer Parts](#) Parts Diagram 04 - CABINET  
 Click on the part number to view part

| Item | Original Part Number     | Replaced By              | Status        | Part Description                        |
|------|--------------------------|--------------------------|---------------|-----------------------------------------|
| 001  | <a href="#">211294</a>   | <a href="#">90767</a>    |               | Screw, 8A X 3/8 HeX Washer Head Tapping |
| "    | 212985                   | <a href="#">22002924</a> |               | Plate, Access                           |
| "    | NLA                      |                          | Not Available | PLATE, ACCESS                           |
| 002  | <a href="#">213846</a>   |                          |               | Guard, Belt                             |
| 003  | 214812                   | <a href="#">22002361</a> |               | Bracket, Water Valve                    |
| 004  | <a href="#">215058</a>   |                          |               | Pad, Cabinet Bumper                     |
| 005  | NLA                      |                          | Not Available | CABINET (WHT)                           |
| 006  | 212982                   | <a href="#">22001650</a> |               | Fastener, Spring                        |
| 007  | <a href="#">Y013783</a>  |                          |               | Washer, Inlet Hose                      |
| 008  | 205161                   | <a href="#">489503</a>   |               | Clamp                                   |
| "    | 214337                   | <a href="#">96160</a>    |               | Screen                                  |
| "    | <a href="#">22001275</a> |                          |               | Valve, Water                            |
| "    | 22001276                 | <a href="#">22004332</a> |               | Water Valve 240V/50Hz, Comm             |
| "    | <a href="#">22001604</a> |                          |               | Valve, Water 120V 60Hz                  |
| "    | <a href="#">22001605</a> |                          |               | Valve, Water 240V 50hz                  |

|     |                          |                           |                                         |
|-----|--------------------------|---------------------------|-----------------------------------------|
| 009 | <a href="#">211111</a>   | <a href="#">16272</a>     | Connector, Straight                     |
| 010 | <a href="#">214768</a>   | <a href="#">211704</a>    | Hose, Drain                             |
| 011 | 216078                   |                           | Not Available                           |
| "   | 216078L                  |                           | Not Available                           |
| 012 | 215057                   | <a href="#">211704</a>    | Hose, Drain                             |
| 013 | 200461                   | <a href="#">285655</a>    | Clamp, Hose                             |
| 014 | 216169                   | <a href="#">596669</a>    | Clamp, Manifold                         |
| 015 | <a href="#">22001190</a> |                           | Hose, Injector                          |
| "   | 22001608                 | <a href="#">22001954</a>  | Injector Hose And Clamp Kit             |
| "   | <a href="#">22001900</a> |                           | Preventer, Back Flow                    |
| 016 | 205828                   | <a href="#">202860</a>    | Inlet Hose Assembly                     |
| "   | 208100                   | <a href="#">76313</a>     | Hosefill                                |
| 017 | 216170                   | <a href="#">489503</a>    | Clamp                                   |
| 018 | 214376                   | <a href="#">22002331</a>  | Spacer, Front Panel                     |
| 019 | 200961                   | <a href="#">12001413</a>  | Strainer And Washer Kit                 |
| 020 | <a href="#">22001304</a> |                           | Water Injector Assembly                 |
| 021 | <a href="#">204439</a>   |                           | Screw And Fstner Assembly               |
| 022 | <a href="#">211294</a>   | <a href="#">90767</a>     | Screw, 8A X 3/8 HeX Washer Head Tapping |
| 023 | 212276                   | <a href="#">W10116760</a> | Screw                                   |
| 024 | <a href="#">213007</a>   |                           | Xfor Cabinet See Cabinet, Back          |
| 025 | <a href="#">213121</a>   | <a href="#">3400111</a>   | Screw, 12-14 X 5/8                      |
| "   | <a href="#">213122</a>   | <a href="#">27001200</a>  | Screw                                   |
| 026 | <a href="#">Y313561</a>  |                           | Screw---NA                              |
| 027 | <a href="#">22001187</a> |                           | Injector                                |
| 028 | <a href="#">22001186</a> |                           | Injector                                |

*the laundry company*<sup>®</sup>

*the laundry company*<sup>®</sup>