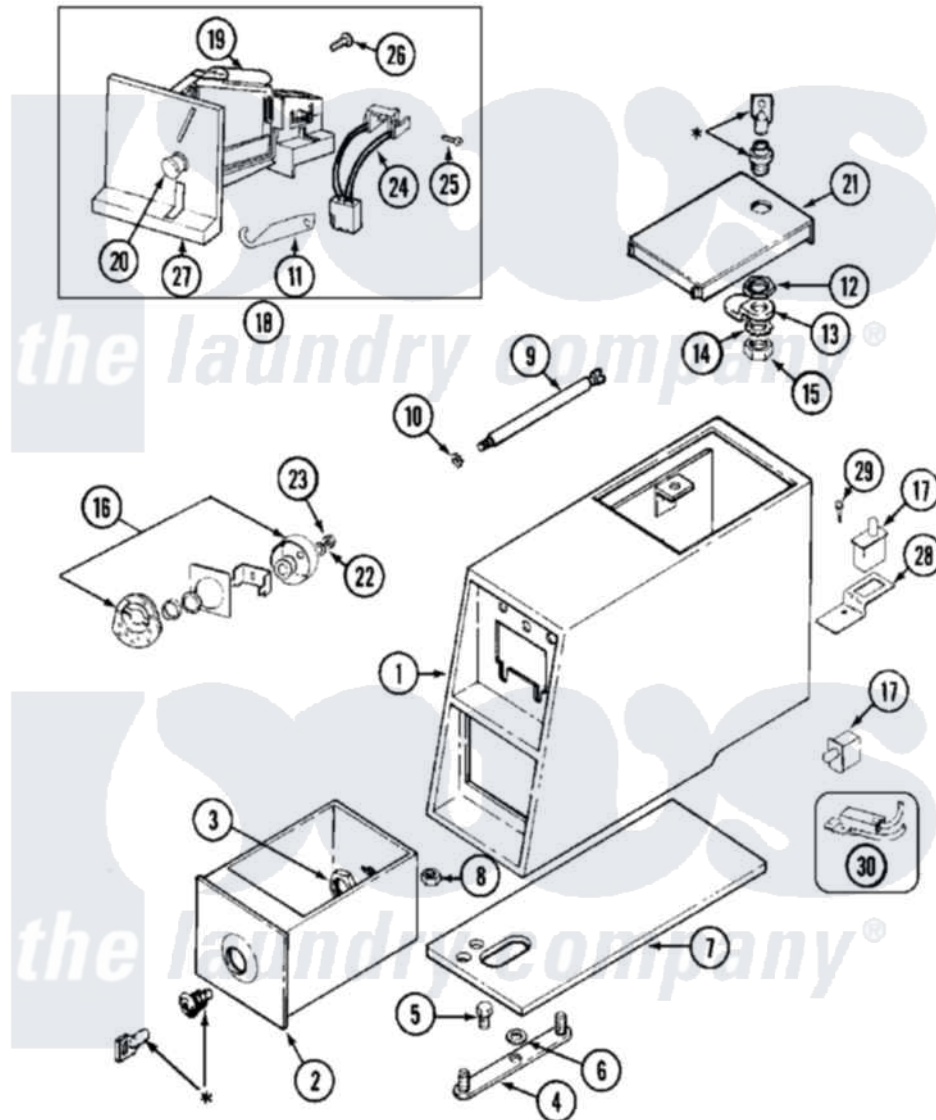


Maytag MAT10DAAAW 09 - CONTROL CNTR. (SERIAL SUFFIX KB & AFTER)



***CONTACT YOUR COMMERCIAL LAUNDRY DISTRIBUTOR**

Maytag [Commercial Maytag MAT10DAAAW Washer Parts](#) Parts Diagram 09 - CONTROL CNTR. (SERIAL SUFFIX KB & AFTER)

[Click on the part number to view part](#)

Item	Original Part Number	Replaced By	Status	Part Description
001	22001407			Case, Coin Slide
"	22001408			(ALM)
002	207912	208884		Coin Box K
"	207912L	208884		Coin Box K
003	212328	W10139762		Hex Nut, 3/4-27
004	NLA		Not Available	STRAP, MOUNTING
005	211294	90767		Screw, 8A X 3/8 HeX Washer Head Tapping
006	910309			Washer, Mounting Strap
007	214660			Gasket, Control Center
008	Y052740	62739		Nut, Lock
009	213035			Bolt, Locking
010	910181			Lockwasher, Terminal Block
011	216011			Spring, Return Button
012	212328	W10139762		Hex Nut, 3/4-27

013	213750	W10133266	Cam-Lock
014	22001354	W10177242	Hex-Nut 9/32 - 28
015	22001355		Nut, Lock Cam
016	NLA	Not Available	LOCK CAM ASSEMBLY
017	33001250		Switch, Vault And Service Door
018	207948		Coin Drop Assembly
"	NLA	Not Available	(CAN.)
019	207947		Rejector, Coin
"	207949		Rejector, Coin
020	216200		Face Plate Return Button
021	204216	Not Available	DOOR, ACCESS (WHT)
"	204216L		Door, Access
022	22001354	W10177242	Hex-Nut 9/32 - 28
023	216203		Lockwasher, Double "D"
"	22001355		Nut, Lock Cam
024	206799		Optic Switch Assembly
025	314665		Screw, Switch Assembly
026	216068		Screw, Coin Drop
027	216010	Y208306	Kit- Mtg C
028	22001404		Bracket, Service Switch
029	212276	W10116760	Screw
030	208045		Harness, Wire Sensor Switch To Circuit Brd

the laundry company[®]

the laundry company[®]