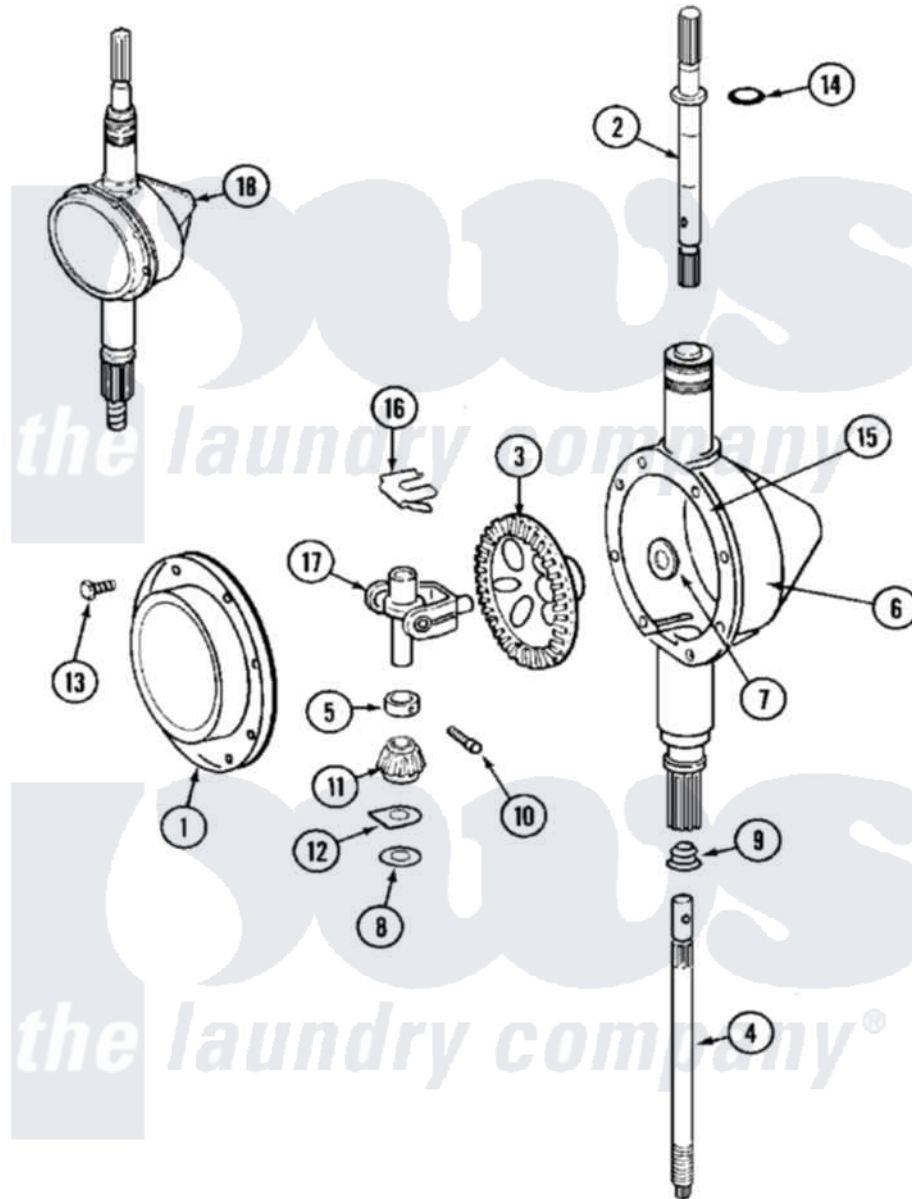


# Maytag MAT10DAABL 07 - TRANSMISSION



Maytag [Commercial Maytag MAT10DAABL Washer Parts](#) Parts Diagram 07 - TRANSMISSION  
 Click on the part number to view part

Item	Original Part Number	Replaced By	Status	Part Description
001	<a href="#">206628</a>			Cover, Transmission
002	207153	<a href="#">6-2097820</a>		Kit- Shaft
003	206713	<a href="#">6-2067130</a>		Gear- Beve
004	NLA		Not Available	SHAFT, CENTER
005	215415		Not Available	COLLAR, LOWER
006	206625	<a href="#">6-2097790</a>		Transmison
007	<a href="#">215394</a>			Washer, Bevel Gear
008	211483	<a href="#">6-2114830</a>		Washer- SP
009	206602	<a href="#">207843</a>		Lip Seal Repair Kit
010	<a href="#">Y206629</a>			Pin, Collar
011	215401	<a href="#">W10221114</a>		Pinion
012	<a href="#">215395</a>			Plate, Clutch
013	215417		Not Available	SCREW, TRANSMISSION COVER
014	<a href="#">210690</a>			Seal, Rubber
015	Y058700	<a href="#">675652</a>		Adhesive
016	<a href="#">215581</a>			Spring, Agitator Shaft

017

206685

[6-2066850](tel:6-2066850)

Yoke

018

206708

[6-2097790](tel:6-2097790)

Transmison

