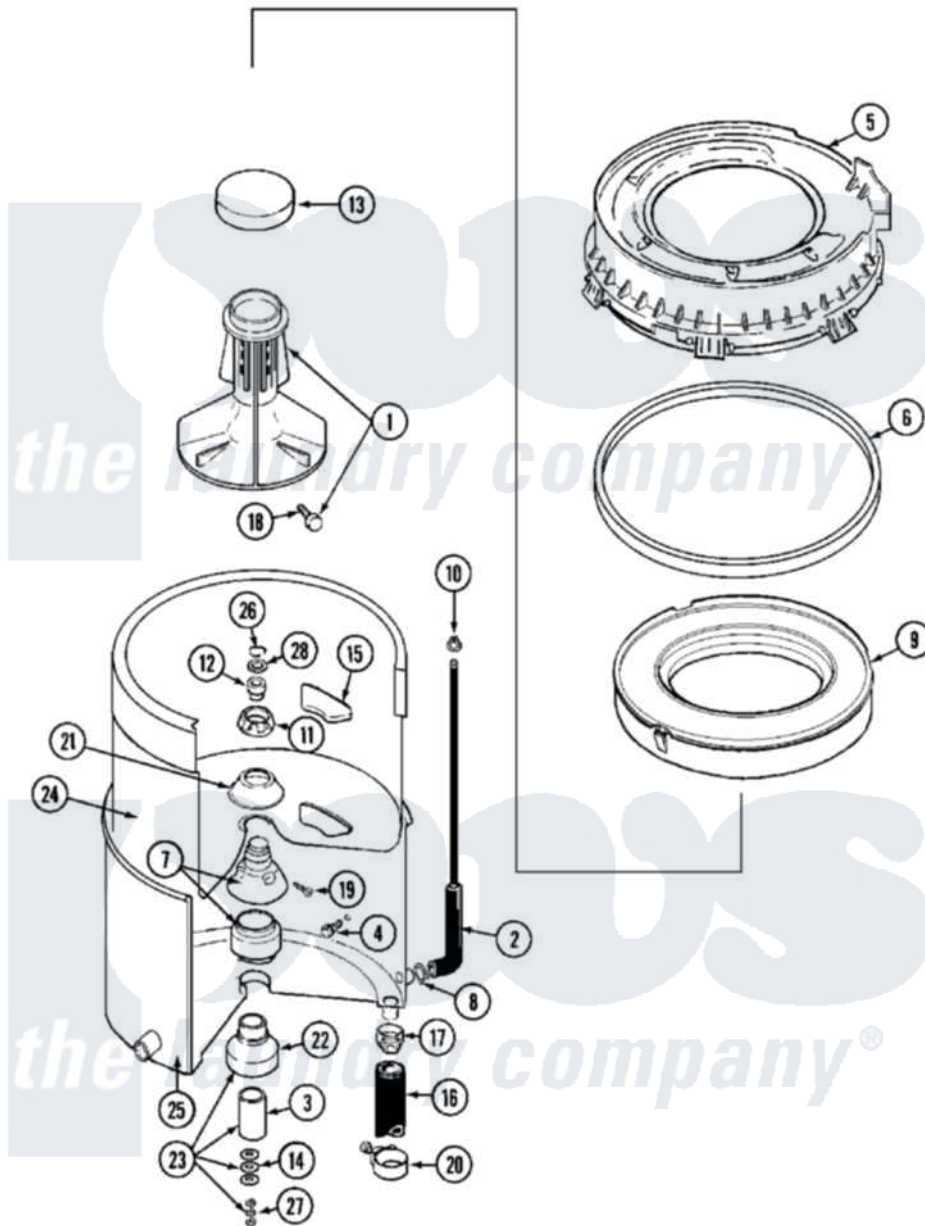


Maytag MAT10PDABL 05 - TUB



Maytag [Commercial Maytag MAT10PDABL Washer Parts](#) Parts Diagram 05 - TUB
 Click on the part number to view part

Item	Original Part Number	Replaced By	Status	Part Description
001	208543			Agitator
002	212942	22001619		Tube, Water Level Switch
003	211130			Bearing Liner, Tub Bearing
004	200744	W10175939		Bolt
"	205254	W10175938		Bolt
005	22001299			Tub Cover And Gasket Assembly
"	22001606	12001270		Kit, Injector Acc.
006	Y22001201	22001007		Gasket, Cover To Tub
007	204012	6-2095720		Mounting S
008	211641			Clamp, 1-1/16"
009	22001142			Ring, Balance
010	410296	596669		Clamp, Manifold
011	211047	6-2110472		Nut- Clamp
012	Y0A4298	6-0A57420		Seal- Agitator
013	215532			Cap, Agitator
014	211100			Washer, Outer Tub

015	215980		Plug, Filter Hole
016	Y212989		Hose, Outer Tub To Pump
017	201011	285655	Clamp, Hose
018	206478	Not Available	SCREW & WASHER FOR AGITATOR
019	211618	22001423	Set Screw, Mounting Stem
020	202574	3367052	Clamp, Hose
021	211210		Washer, Clamping Nut
022	200824	6-2040130	Tub Bearin
023	204013	6-2040130	Tub Bearin
024	22001141	Y2201881	Tub, Inner Short White SP
025	22001115	22003312	Tub, Outer
026	Y015667		Retaining Ring
027	Y054867		Washer, Lock
028	Y015666		Washer, Retaining -

