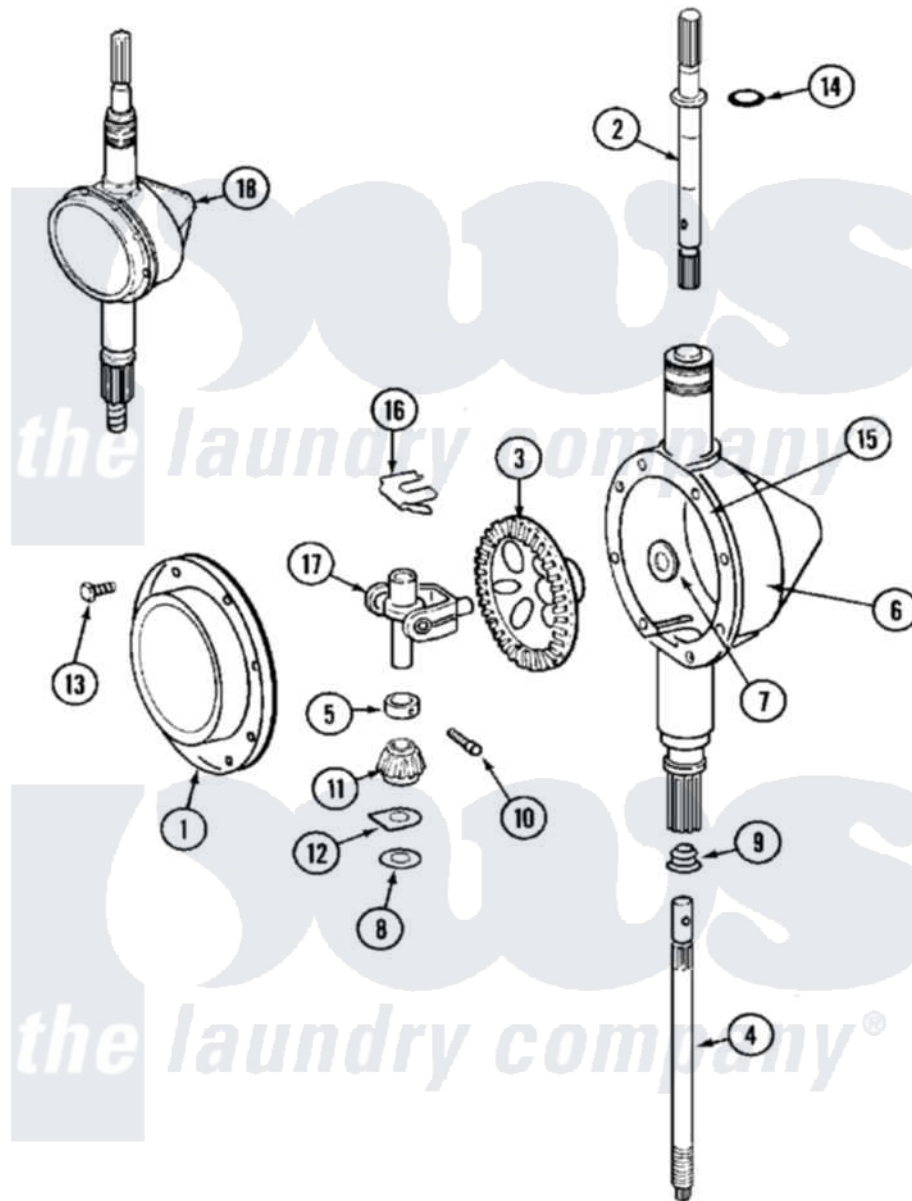


# Maytag MAT10PDABL 07 - TRANSMISSION



Maytag [Commercial Maytag MAT10PDABL Washer Parts](#) Parts Diagram 07 - TRANSMISSION  
 Click on the part number to view part

| Item | Original Part Number    | Replaced By               | Status        | Part Description          |
|------|-------------------------|---------------------------|---------------|---------------------------|
| 001  | <a href="#">206628</a>  |                           |               | Cover, Transmission       |
| 002  | 207153                  | <a href="#">6-2097820</a> |               | Kit- Shaft                |
| 003  | 206713                  | <a href="#">6-2067130</a> |               | Gear- Beve                |
| 004  | NLA                     |                           | Not Available | SHAFT, CENTER             |
| 005  | 215415                  |                           | Not Available | COLLAR, LOWER             |
| 006  | 206625                  | <a href="#">6-2097790</a> |               | Transmison                |
| 007  | <a href="#">215394</a>  |                           |               | Washer, Bevel Gear        |
| 008  | 211483                  | <a href="#">6-2114830</a> |               | Washer- SP                |
| 009  | 206602                  | <a href="#">207843</a>    |               | Lip Seal Repair Kit       |
| 010  | <a href="#">Y206629</a> |                           |               | Pin, Collar               |
| 011  | 215401                  | <a href="#">W10221114</a> |               | Pinion                    |
| 012  | <a href="#">215395</a>  |                           |               | Plate, Clutch             |
| 013  | 215417                  |                           | Not Available | SCREW, TRANSMISSION COVER |
| 014  | <a href="#">210690</a>  |                           |               | Seal, Rubber              |
| 015  | Y058700                 | <a href="#">675652</a>    |               | Adhesive                  |
| 016  | <a href="#">215581</a>  |                           |               | Spring, Agitator Shaft    |

017

206685

[6-2066850](tel:6-2066850)

Yoke

018

206708

[6-2097790](tel:6-2097790)

Transmison

