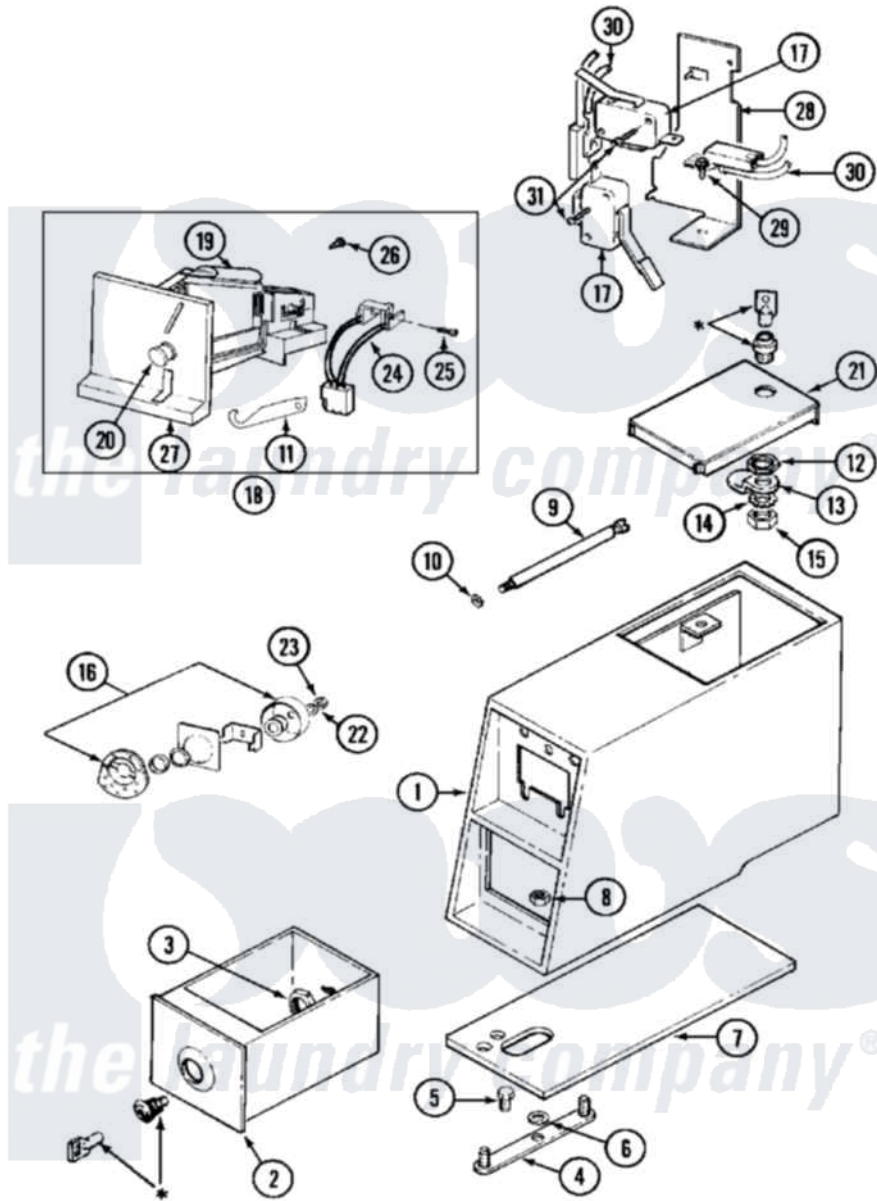


# Maytag MAT10PDABW 01 - CONTROL CENTER



\* CONTACT YOUR COMMERCIAL LAUNDRY DISTRIBUTOR

Maytag [Commercial Maytag MAT10PDABW Washer Parts](#) Parts Diagram 01 - CONTROL CENTER

[Click on the part number to view part](#)

| Item | Original Part Number    | Replaced By               | Status        | Part Description                        |
|------|-------------------------|---------------------------|---------------|---|
| 001  | 207940                  | <a href="#">22001407</a>  |               | Case, Coin Slide                        |
| "    | 207940L                 | <a href="#">22001408</a>  |               | (ALM)                                   |
| 002  | 207912                  | <a href="#">208884</a>    |               | Coin Box K                              |
| "    | 207912L                 | <a href="#">208884</a>    |               | Coin Box K                              |
| 003  | 212328                  | <a href="#">W10139762</a> |               | Hex Nut, 3/4-27                         |
| 004  | NLA                     |                           | Not Available | STRAP, MOUNTING                         |
| 005  | <a href="#">211294</a>  | <a href="#">90767</a>     |               | Screw, 8A X 3/8 HeX Washer Head Tapping |
| 006  | <a href="#">910309</a>  |                           |               | Washer, Mounting Strap                  |
| 007  | <a href="#">214660</a>  |                           |               | Gasket, Control Center                  |
| 008  | <a href="#">Y052740</a> | <a href="#">62739</a>     |               | Nut, Lock                               |
| 009  | <a href="#">213035</a>  |                           |               | Bolt, Locking                           |
| 010  | <a href="#">910181</a>  |                           |               | Lockwasher, Terminal Block              |
| 011  | <a href="#">216200</a>  |                           |               | Face Plate Return Button                |
| 012  | 212328                  | <a href="#">W10139762</a> |               | Hex Nut, 3/4-27                         |
| 013  | 213750                  | <a href="#">W10133266</a> |               | Cam-Lock                                |
| 014  | 22001354                | <a href="#">W10177242</a> |               | Hex-Nut 9/32 - 28                       |

|     |                          |                           |   |
|-----|--------------------------|---------------------------|---|
| 015 | <a href="#">22001355</a> |                           | Nut, Lock Cam                                 |
| 016 | NLA                      | Not Available             | LOCK CAM ASSEMBLY                             |
| 017 | <a href="#">208042</a>   |                           | Switch, Sensor                                |
| 018 | <a href="#">207948</a>   |                           | Coin Drop Assembly                            |
| "   | NLA                      | Not Available             | (CAN.)  |
| 019 | <a href="#">207947</a>   |                           | Rejector, Coin                                |
| "   | <a href="#">207949</a>   |                           | Rejector, Coin                                |
| 020 | <a href="#">216009</a>   |                           | BUTTON, RETURN                                |
| 021 | 204216                   | Not Available             | DOOR, ACCESS (WHT)                            |
| "   | <a href="#">204216L</a>  |                           | Door, Access                                  |
| 022 | 22001354                 | <a href="#">W10177242</a> | Hex-Nut 9/32 - 28                             |
| 023 | <a href="#">22001355</a> |                           | Nut, Lock Cam                                 |
| 024 | <a href="#">206799</a>   |                           | Optic Switch Assembly                         |
| 025 | <a href="#">314665</a>   |                           | Screw, Switch Assembly                        |
| 026 | <a href="#">216068</a>   |                           | Screw, Coin Drop                              |
| 027 | 216010                   | <a href="#">Y208306</a>   | Kit- Mtg C                                    |
| 028 | NLA                      | Not Available             | BRACKET, SENSOR SWITCH                        |
| 029 | NLA                      | Not Available             | SCREW, BRACKET                                |
| 030 | <a href="#">208045</a>   |                           | Harness, Wire Sensor Switch<br>To Circuit Brd |
| 031 | 912012                   | <a href="#">3400409</a>   | Screw   |

