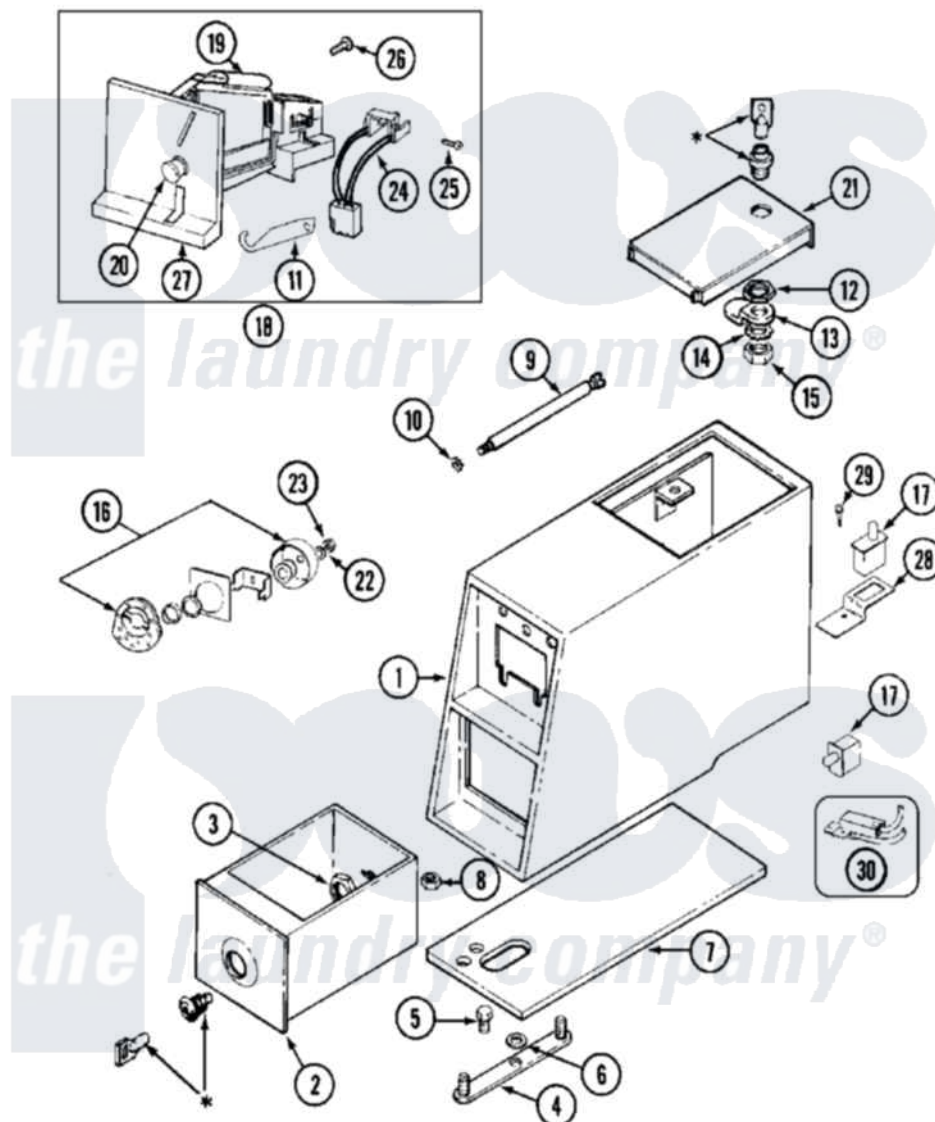


Maytag MAT10PDABW 02 - CONTROL CNTR (SERIAL SUFFIX KB & AFTER)



***CONTACT YOUR COMMERCIAL LAUNDRY DISTRIBUTOR**

Maytag [Commercial Maytag MAT10PDABW Washer Parts](#) Parts Diagram 02 - CONTROL CNTR (SERIAL SUFFIX KB & AFTER)

[Click on the part number to view part](#)

Item	Original Part Number	Replaced By	Status	Part Description
001	22001407			Case, Coin Slide
"	22001408			(ALM)
002	207912	208884		Coin Box K
"	207912L	208884		Coin Box K
003	212328	W10139762		Hex Nut, 3/4-27
004	NLA		Not Available	STRAP, MOUNTING
005	211294	90767		Screw, 8A X 3/8 HeX Washer Head Tapping
006	910309			Washer, Mounting Strap
007	214660			Gasket, Control Center
008	Y052740	62739		Nut, Lock
009	211605			Bezel, Timer Dial
"	213035			Bolt, Locking
010	910181			Lockwasher, Terminal Block
011	216011			Spring, Return Button

012	212328	W10139762	Hex Nut, 3/4-27
013	213750	W10133266	Cam-Lock
014	22001354	W10177242	Hex-Nut 9/32 - 28
015	22001355		Nut, Lock Cam
016	NLA	Not Available	LOCK CAM ASSEMBLY
017	33001250		Switch, Vault And Service Door
018	207948		Coin Drop Assembly
"	NLA	Not Available	(CAN.)
019	207947		Rejector, Coin
"	207949		Rejector, Coin
020	216200		Face Plate Return Button
021	204216	Not Available	DOOR, ACCESS (WHT)
"	204216L		Door, Access
022	22001354	W10177242	Hex-Nut 9/32 - 28
023	216203		Lockwasher, Double "D"
"	22001355		Nut, Lock Cam
024	206799		Optic Switch Assembly
025	314665		Screw, Switch Assembly
026	216068		Screw, Coin Drop
027	216010	Y208306	Kit- Mtg C
028	22001404		Bracket, Service Switch
029	212276	W10116760	Screw
030	208045		Harness, Wire Sensor Switch To Circuit Brd

the laundry company®

the laundry company®