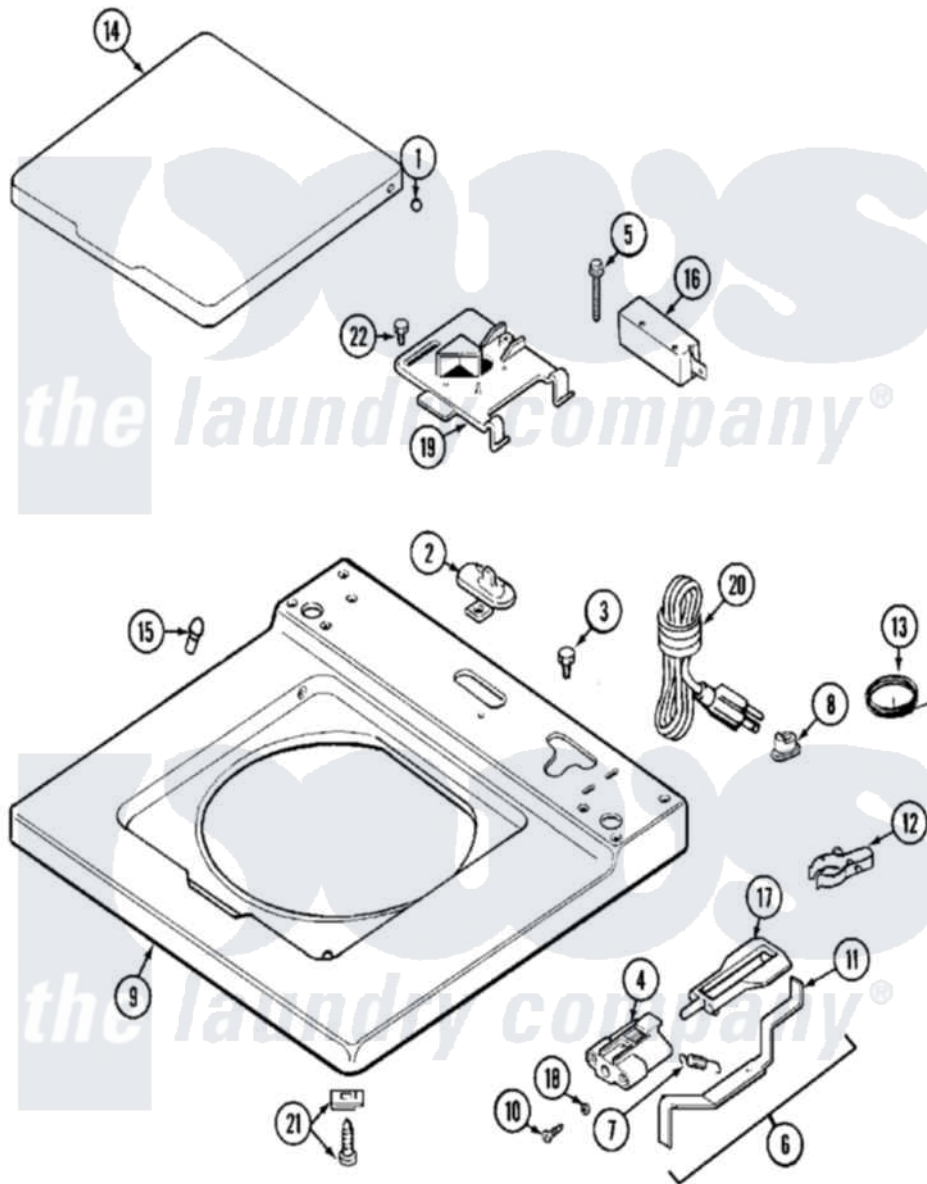


# Maytag MAT10PDABW 03 - TOP ASSEMBLY



Maytag [Commercial Maytag MAT10PDABW Washer Parts](#) Parts Diagram 03 - TOP ASSEMBLY  
 Click on the part number to view part

| Item | Original Part Number     | Replaced By             | Status        | Part Description                            |
|------|--------------------------|-------------------------|---------------|---|
| 001  | <a href="#">211726</a>   |                         |               | Hinge, Ball Lid                             |
| 002  | 207159                   | <a href="#">489355</a>  |               | Screw, 8 X 1/2                              |
| "    | <a href="#">22001298</a> |                         |               | Cap, Top Cover                              |
| 003  | 210186                   | <a href="#">3370225</a> |               | Screw                                       |
| 004  | NLA                      |                         | Not Available | BRACKET, PLUNGER                            |
| 005  | <a href="#">213501</a>   |                         |               | Screw, No.6-20 X 1-1/8 Inch                 |
| 006  | <a href="#">22001311</a> |                         |               | Unbalance Lever Assembly                    |
| 007  | <a href="#">213720</a>   |                         |               | Spring, Lid Switch                          |
| 008  | <a href="#">211881</a>   |                         |               | Grommet, Cord Part Not Used-Gas Models Only |
| 009  | 22001310                 |                         | Not Available | TOP COVER ASSEMBLY (WHT)                    |
| "    | NLA                      |                         | Not Available | TOP (ALM)                                   |
| 010  | 910182                   | <a href="#">25-7809</a> |               | Screw, No.6-20 1/2 Flthd Torx               |
| 011  | <a href="#">22001136</a> |                         |               | Lever, Unbalance                            |
| 012  | <a href="#">301548</a>   |                         |               | Clamp, Ground Wire                          |
| 013  | <a href="#">204807</a>   |                         |               | Ground Wire, Supp. Pltte To                 |

|     |                          |                          |                              |
|-----|--------------------------|--------------------------|------------------------------|
| 013 | <a href="#">204007</a>   |                          | Top Cover                    |
| 014 | <a href="#">22001341</a> |                          | Lid W/Legend                 |
| "   | 22001342                 | <a href="#">22002656</a> | Lid, With Legend             |
| 015 | <a href="#">212716</a>   |                          | Bumper, Lid                  |
| 016 | 205415                   | <a href="#">279347</a>   | Switch-Lid                   |
| 017 | <a href="#">216255</a>   |                          | Plunger, Lid Switch          |
| 018 | <a href="#">211500</a>   |                          | Washer, Bracket To Top Cover |
| 019 | Y215699                  | <a href="#">22001678</a> | Bracket, Switch And Fuse     |
| 020 | NLA                      | Not Available            | CORD, POWER                  |
| 021 | <a href="#">204445</a>   |                          | Screw And Fastener Assembly  |
| 022 | 207159                   | <a href="#">489355</a>   | Screw, 8 X 1/2               |

**Howes**  
the laundry company®

**Howes**  
the laundry company®

**Howes**  
the laundry company®