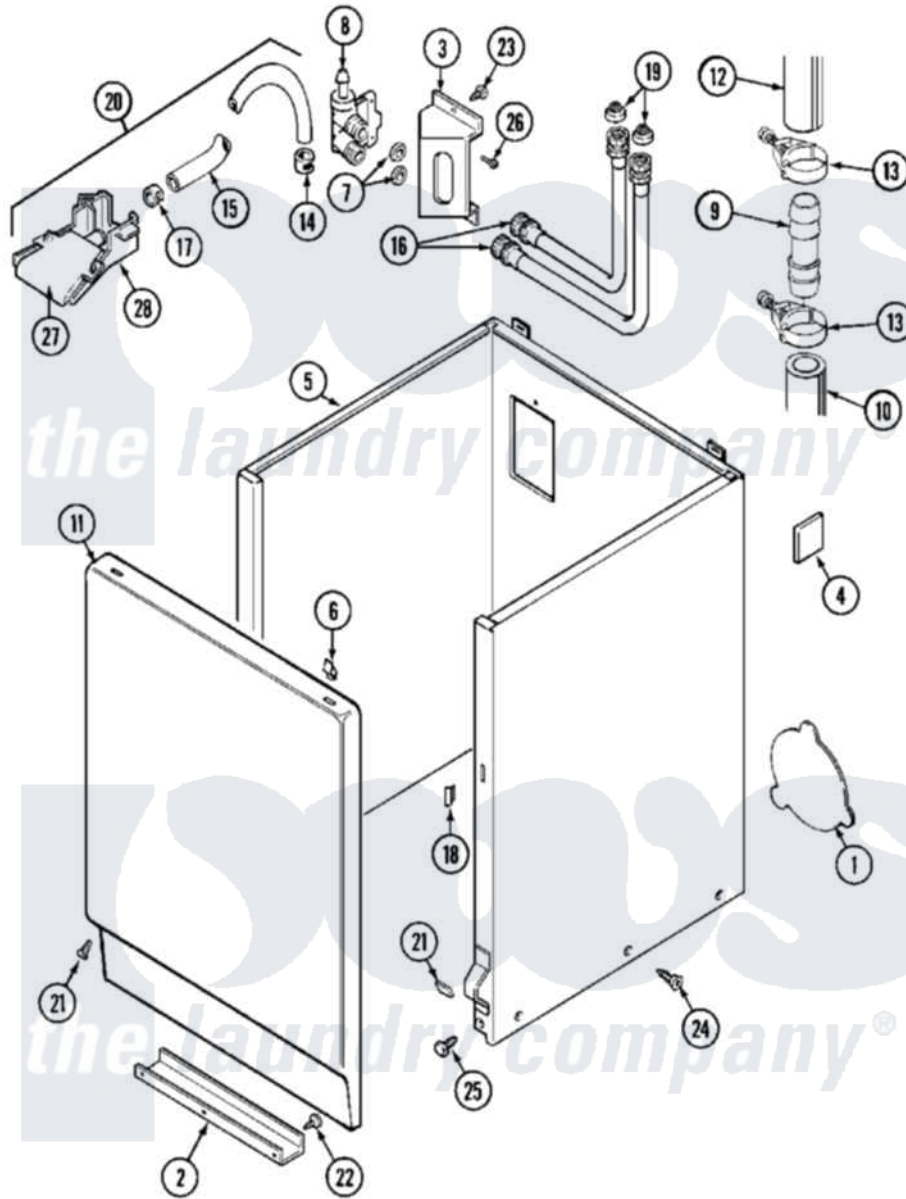


Maytag MAT10PSAAL 03 - CABINET



Maytag [Commercial Maytag MAT10PSAAL Washer Parts](#) Parts Diagram 03 - CABINET
 Click on the part number to view part

| Item | Original Part Number | Replaced By | Status | Part Description |
|------|--------------------------|--------------------------|---------------|---|
| 001 | 211294 | 90767 | | Screw, 8A X 3/8 HeX Washer Head Tapping |
| " | 212985 | 22002924 | | Plate, Access |
| " | NLA | | Not Available | PLATE, ACCESS |
| 002 | 213846 | | | Guard, Belt |
| 003 | 214812 | 22002361 | | Bracket, Water Valve |
| 004 | 215058 | | | Pad, Cabinet Bumper |
| 005 | NLA | | Not Available | CABINET (WHT) |
| 006 | 212982 | 22001650 | | Fastener, Spring |
| 007 | Y013783 | | | Washer, Inlet Hose |
| 008 | 205161 | 489503 | | Clamp |
| " | 214337 | 96160 | | Screen |
| " | 22001275 | | | Valve, Water |
| " | 22001604 | | | Valve, Water 120V 60Hz |
| 009 | 211111 | 16272 | | Connector, Straight |
| 010 | 214768 | 211704 | | Hose, Drain |
| 011 | 216078 | | Not Available | PANEL, FRONT (WHT) |

| | | | | |
|-----|--------------------------|---------------------------|---------------|---|
| " | 216078L | | Not Available | PANEL, FRONT (ALM) SUB |
| 012 | 215057 | 211704 | | Hose, Drain |
| 013 | 200461 | 285655 | | Clamp, Hose |
| 014 | 216169 | 596669 | | Clamp, Manifold |
| 015 | 22001190 | | | Hose, Injector |
| " | 22001608 | 22001954 | | Injector Hose And Clamp Kit |
| " | 22001900 | | | Preventer, Back Flow |
| 016 | 205828 | 202860 | | Inlet Hose Assembly |
| " | 208100 | 76313 | | Hosefill |
| 017 | 216170 | 489503 | | Clamp |
| 018 | 214376 | 22002331 | | Spacer, Front Panel |
| 019 | 200961 | 12001413 | | Strainer And Washer Kit |
| 020 | 22001304 | | | Water Injector Assembly |
| 021 | 204439 | | | Screw And Fstner Assembly |
| 022 | 211294 | 90767 | | Screw, 8A X 3/8 HeX Washer Head Tapping |
| 023 | 212276 | W10116760 | | Screw |
| 024 | 213007 | | | Xfor Cabinet See Cabinet, Back |
| 025 | 213121 | 3400111 | | Screw, 12-14 X 5/8 |
| " | 213122 | 27001200 | | Screw |
| 026 | Y313561 | | | Screw----NA |
| 027 | 22001187 | | | Injector |
| 028 | 22001186 | | | Injector |

