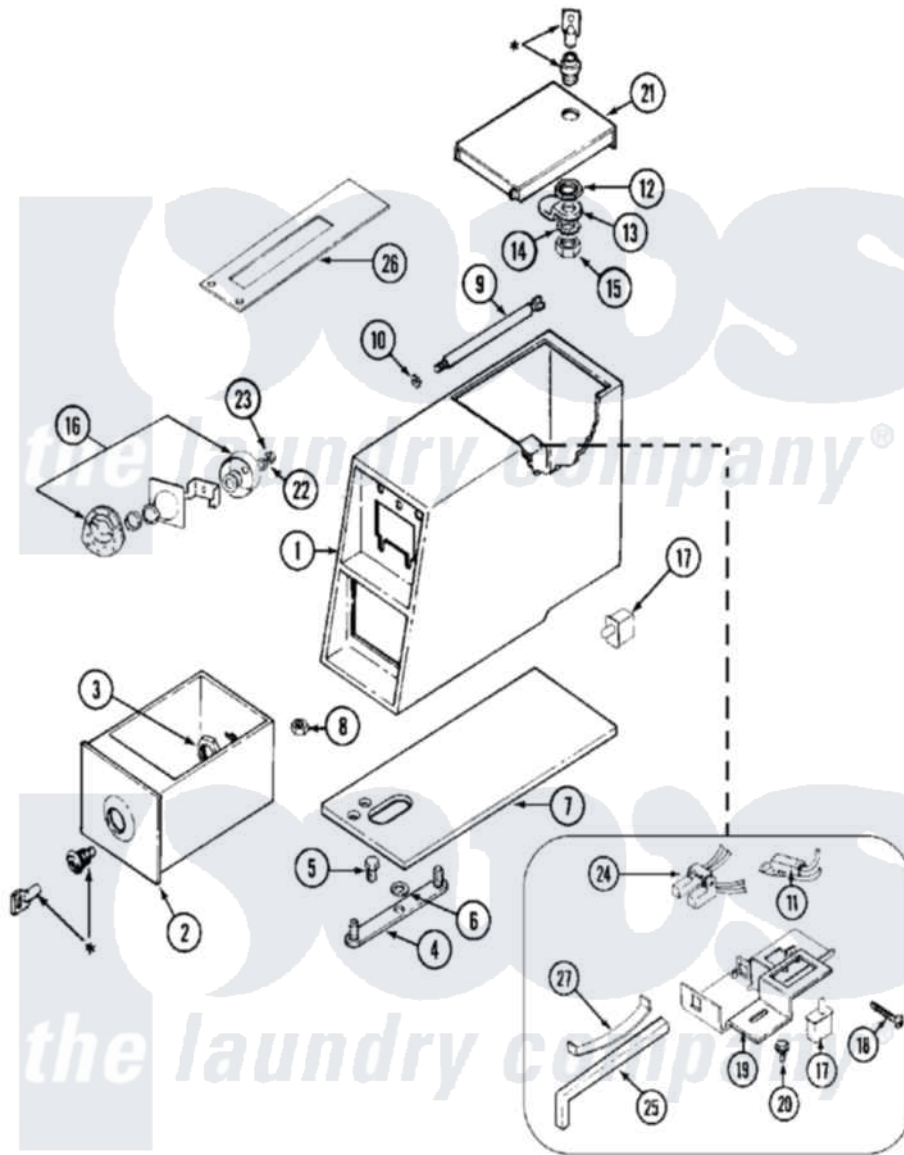


Maytag MAT10PSAAL 08 - CONTROL CENTER



***CONTACT YOUR COMMERCIAL LAUNDRY DISTRIBUTOR**

Maytag [Commercial Maytag MAT10PSAAL Washer Parts](#) Parts Diagram 08 - CONTROL CENTER
 Click on the part number to view part

Item	Original Part Number	Replaced By	Status	Part Description
001	22001405			Case, Coin Slide
"	22001406	22001405		Case, Coin Slide
002	207913	208883		Coin Box K
"	NLA		Not Available	(ALM)
003	212328	W10139762		Hex Nut, 3/4-27
004	NLA		Not Available	STRAP, MOUNTING
005	211294	90767		Screw, 8A X 3/8 HeX Washer Head Tapping
006	910309			Washer, Mounting Strap
007	214660			Gasket, Control Center
008	Y052740	62739		Nut, Lock
009	215559			Bolt, Coin Slide Locking
010	910387			Lockwasher, Vault Assembly
011	208045			Harness, Wire Sensor Switch To Circuit Brd
012	212328	W10139762		Hex Nut, 3/4-27
013	213750	W10133266		Cam-Lock

014	22001354	W10177242		Hex-Nut 9/32 - 28
015	22001355			Nut, Lock Cam
016	NLA		Not Available	LOCK CAM ASSEMBLY
017	33001250			Switch, Vault And Service Door
018	314665			Screw, Switch Assembly
019	33001253			Bracket, Sensor Switch
020	211605			Bezel, Timer Dial
"	212276	W10116760		Screw
021	204216		Not Available	DOOR, ACCESS (WHT)
"	204216L			Door, Access
022	22001354	W10177242		Hex-Nut 9/32 - 28
023	216203			Lockwasher, Double "D"
"	22001355			Nut, Lock Cam
024	206799			Optic Switch Assembly
025	216442			Rod, Actuator
026	NLA		Not Available	BRACKET, OPTIC SWITCH ACT.
027	33001252			Spring, Switch Rod

