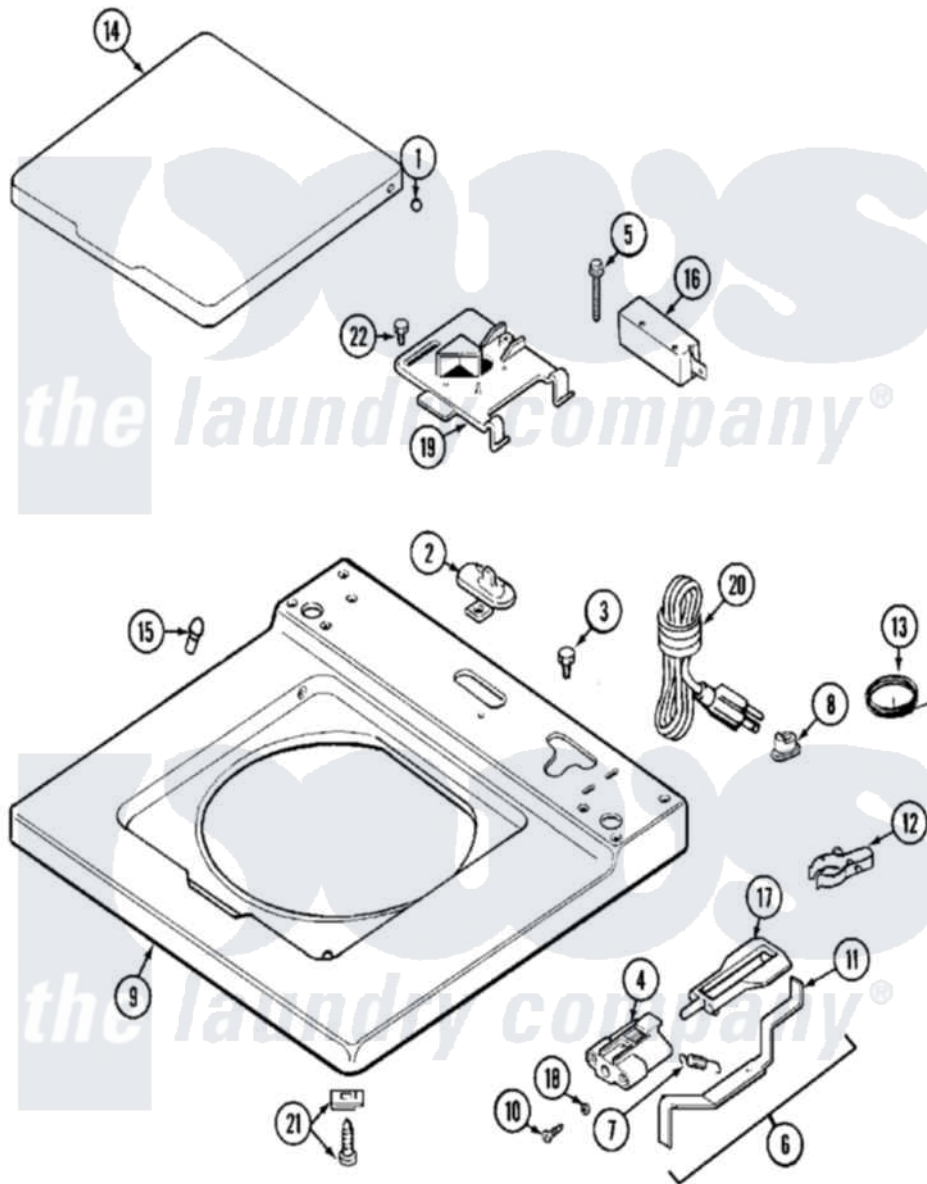


# Maytag MAT10PSAGL 02 - TOP



Maytag [Commercial Maytag MAT10PSAGL Washer Parts](#) Parts Diagram 02 - TOP  
 Click on the part number to view part

Item	Original Part Number	Replaced By	Status	Part Description
001	<a href="#">211726</a>			Hinge, Ball Lid
002	207159	<a href="#">489355</a>		Screw, 8 X 1/2
"	<a href="#">22001298</a>			Cap, Top Cover
003	210186	<a href="#">3370225</a>		Screw
004	NLA		Not Available	BRACKET, PLUNGER
005	<a href="#">213501</a>			Screw, No.6-20 X 1-1/8 Inch
006	<a href="#">22001311</a>			Unbalance Lever Assembly
007	<a href="#">213720</a>			Spring, Lid Switch
008	<a href="#">211881</a>			Grommet, Cord Part Not Used-Gas Models Only
"	<a href="#">216183</a>			Grommet, Cord Export
009	22001310		Not Available	TOP COVER ASSEMBLY (WHT)
"	NLA		Not Available	TOP (ALM)
010	910182	<a href="#">25-7809</a>		Screw, No.6-20 1/2 Flthd Torx
011	<a href="#">22001136</a>			Lever, Unbalance
012	<a href="#">301548</a>			Clamp, Ground Wire

013	<a href="#">204807</a>		Ground Wire, Supp. Plte To Top Cover
014	<a href="#">22001341</a>		Lid W/Legend
"	22001342	<a href="#">22002656</a>	Lid, With Legend
015	<a href="#">212716</a>		Bumper, Lid
016	205415	<a href="#">279347</a>	Switch-Lid
"	<a href="#">22001362</a>		Switch, Lid
017	<a href="#">216255</a>		Plunger, Lid Switch
018	<a href="#">211500</a>		Washer, Bracket To Top Cover
019	Y215699	<a href="#">22001678</a>	Bracket, Switch And Fuse
020	22001351	Not Available	CORD, POWER
"	NLA	Not Available	CORD, POWER
021	<a href="#">204445</a>		Screw And Fastener Assembly
022	207159	<a href="#">489355</a>	Screw, 8 X 1/2

*the laundry company*<sup>®</sup>

**Howes**  
*the laundry company*<sup>®</sup>

**Howes**  
*the laundry company*<sup>®</sup>