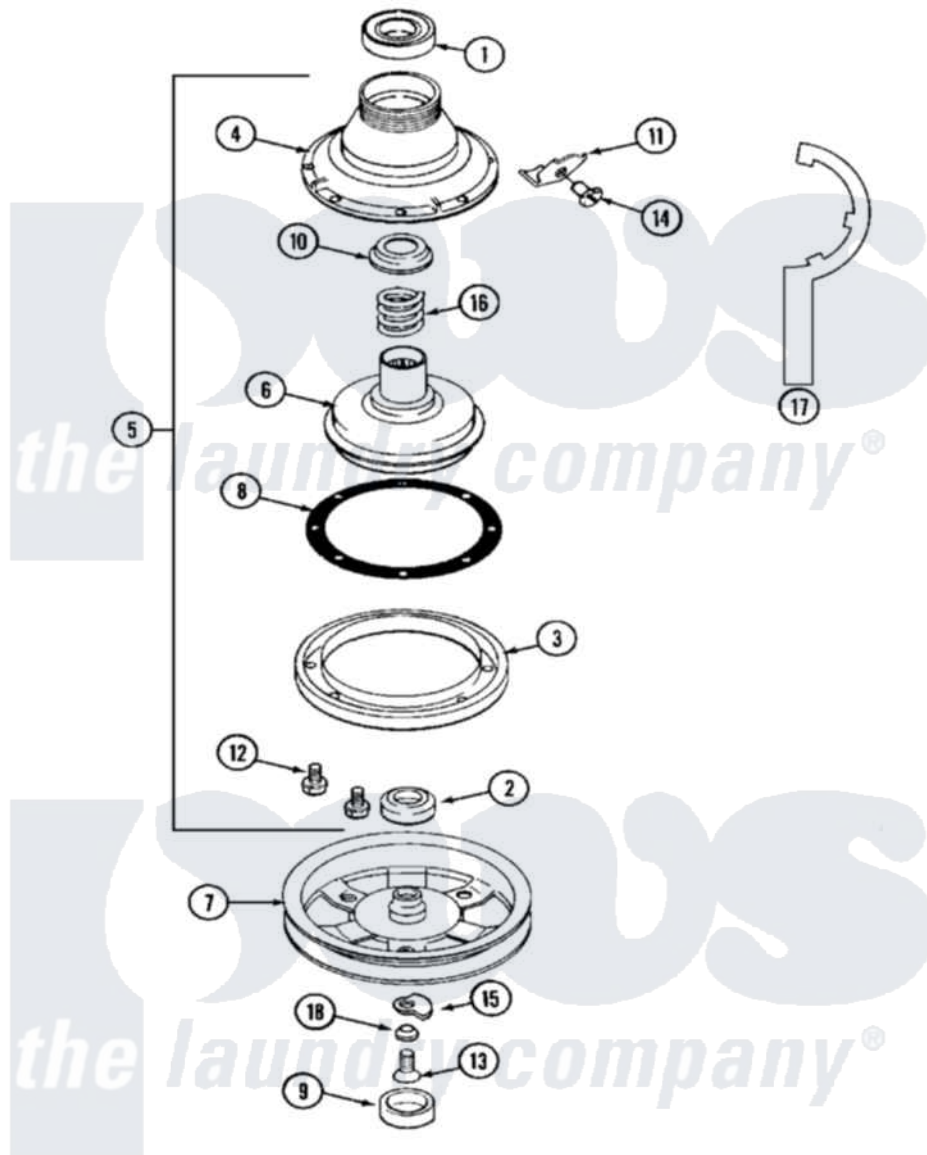


# Maytag MAT10PSAGL 07 - CLUTCH, BRAKE & BELTS



Maytag Commercial Maytag MAT10PSAGL Washer Parts Parts Diagram 07 - CLUTCH, BRAKE & BELTS  
 Click on the part number to view part

Item	Original Part Number	Replaced By	Status	Part Description
001	Y200720	<a href="#">22003441</a>		Bearing, Rear
002	<a href="#">200835</a>			Bearing, Brake Rotor
003	211043	<a href="#">6-2011900</a>		Brake Asse
004	211045	<a href="#">6-2011900</a>		Brake Asse
005	201190	<a href="#">6-2011900</a>		Brake Asse
006	201126	<a href="#">6-2011900</a>		Brake Asse
007	211059	<a href="#">6-2301530</a>		Pulley
008	211042	<a href="#">6-2011900</a>		Brake Asse
009	NLA		Not Available	CAP, OIL RETAINER
010	211039	<a href="#">6-2011900</a>		Brake Asse
011	<a href="#">213325</a>			Clip, Retaining
012	<a href="#">211000</a>			SCREW, BRAKE DRUM (HEX HEAD)
013	211375	<a href="#">681582</a>		Screw
014	<a href="#">213326</a>			Bolt, Sems Retaining Clip
015	<a href="#">211089</a>			Lug, Stop Pulley
016	211041	<a href="#">6-2011900</a>		Brake Asse

017 [Y038315](#)

[038315](#)

Tool

018 211090

[22003555](#)

Washer, Stop Lug

