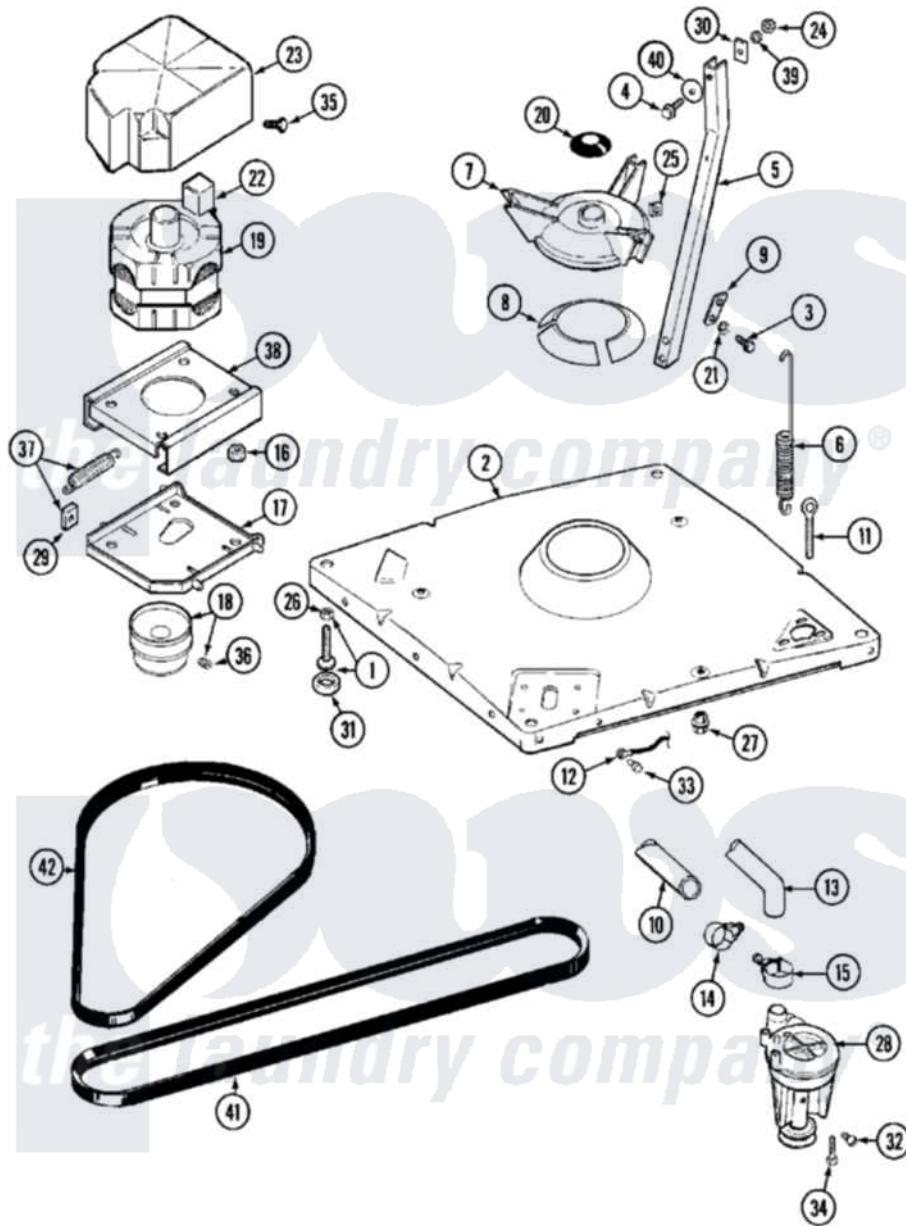


Maytag MAT11PDAAL 06 - BASE



Maytag [Commercial Maytag MAT11PDAAL Washer Parts](#) Parts Diagram 06 - BASE
 Click on the part number to view part

Item	Original Part Number	Replaced By	Status	Part Description
001	Y302699	22003428		Leg, Adjustable
002	22001172	22002150		Base
003	Y015627			Screw- Hex
004	200744	W10175939		Bolt
"	205254	W10175938		Bolt
005	213053			Brace, Tub Part Not Used
006	22001300			Spring, Centering
007	203725			Damper W/Bolt And Clip
008	203956			Damper Pad Kit
009	213073			Washer, Double Brace
010	214768	211704		Hose, Drain
011	216416			Bolt, Eye/Centering Spring
012	901220			Ground Wire
013	213045			Hose, Outer Tub Part Not Used
014	200461	285655		Clamp, Hose
015	202574	3367052		Clamp, Hose

016	Y311426	3400029	Nut, Adapter Plate
017	22001301		Mount, Motor Lower-Assembly
018	200816	6-2008160	Pulley- MO
019	201805	12002351	Motor-Drve
020	211028	22001586	Deflector, Water
021	911852	486009	Lockwasher
022	205131		Switch, Motor External Start
"	205132	Not Available	SWITCH, MOTOR EXTERNAL START No.201664-14,205463-4 & 201800-4
"	206505	Not Available	PROD. No.201664-15, & No.205463-3.
"	NLA	Not Available	SWITCH, MOTOR EXTERNAL START
023	215098		Shield, Motor
024	Y052734		Nut, Carrage Bolts And Bracket
025	Y052785		Nut, Brace To Damper
026	210385		Lock Nut For Adjustable Leg
027	211949		Nut, Adjustment Eyebolt
028	202203	6-2022030	Pump As Pa
029	Y204998	205000	Roller And Spring Kit 4+Spr
030	212979	Not Available	WASHER, TUB BRACE
031	210684		Foot, Adjustable Leg
032	Y015408	22003235	Screw, Bearing Insert
033	210186	3370225	Screw
034	211880		Screw, HeX Head No.10 X 1/2 Inc
035	213121	3400111	Screw, 12-14 X 5/8
036	Y053241		Set Screw, Motor Pulley
037	205000		Roller And Spring Kit 4+Spr
038	214956		Motor Mount Assembly
039	Y054867		Washer, Lock
040	211100		Washer, Outer Tub
041	211124		Part Not Used
042	211125		V Belt, DriVe Pulley

