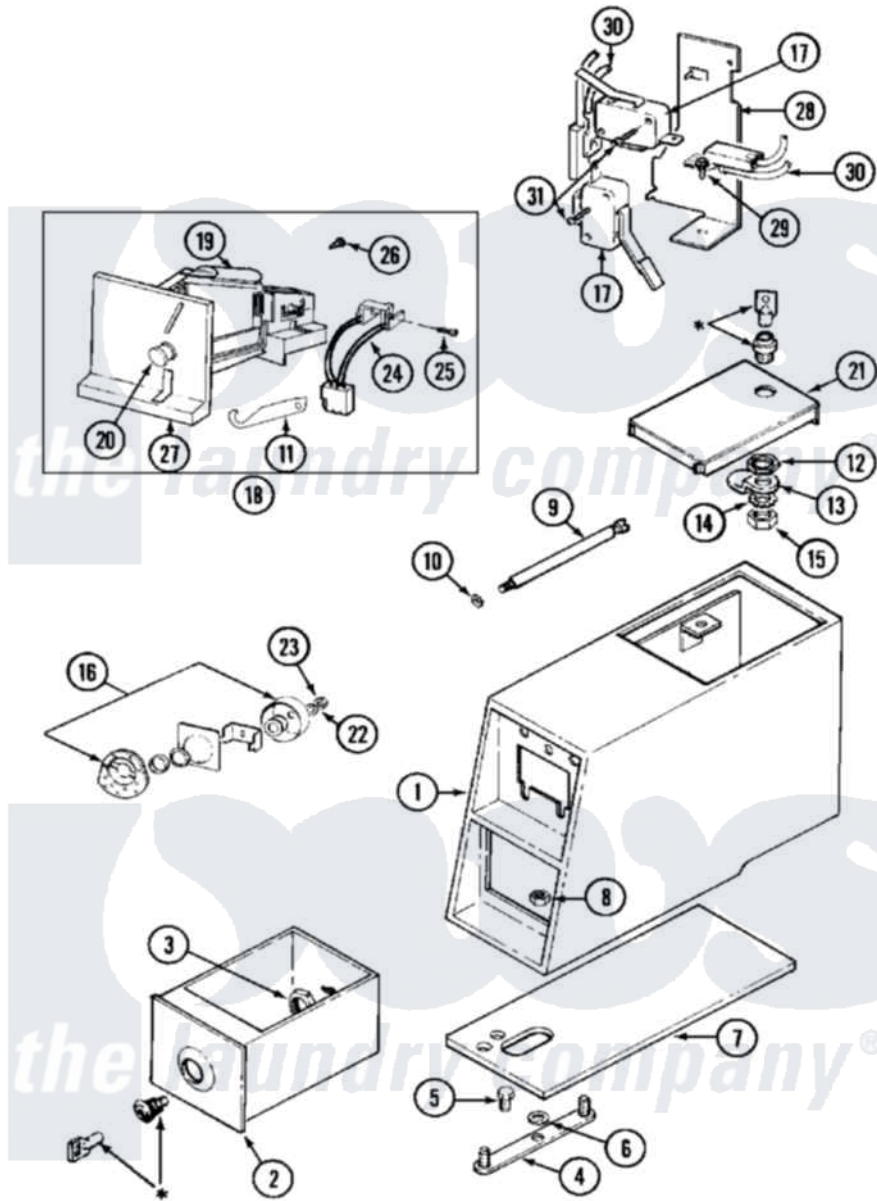


# Maytag MAT11PDAAW 02 - CONTROL CENTER



\* CONTACT YOUR COMMERCIAL LAUNDRY DISTRIBUTOR

Maytag [Commercial Maytag MAT11PDAAW Washer Parts](#) Parts Diagram 02 - CONTROL CENTER

[Click on the part number to view part](#)

Item	Original Part Number	Replaced By	Status	Part Description
001	207940	<a href="#">22001407</a>		Case, Coin Slide
"	207940L	<a href="#">22001408</a>		(ALM)
002	207912	<a href="#">208884</a>		Coin Box K
"	207912L	<a href="#">208884</a>		Coin Box K
003	212328	<a href="#">W10139762</a>		Hex Nut, 3/4-27
004	NLA		Not Available	STRAP, MOUNTING
005	<a href="#">211294</a>	<a href="#">90767</a>		Screw, 8A X 3/8 HeX Washer Head Tapping
006	<a href="#">910309</a>			Washer, Mounting Strap
007	<a href="#">214660</a>			Gasket, Control Center
008	<a href="#">Y052740</a>	<a href="#">62739</a>		Nut, Lock
009	<a href="#">213035</a>			Bolt, Locking
010	<a href="#">910181</a>			Lockwasher, Terminal Block
011	<a href="#">216011</a>			Spring, Return Button
012	212328	<a href="#">W10139762</a>		Hex Nut, 3/4-27
013	213750	<a href="#">W10133266</a>		Cam-Lock
014	22001354	<a href="#">W10177242</a>		Hex-Nut 9/32 - 28

015	<a href="#">22001355</a>		Nut, Lock Cam
016	NLA	Not Available	LOCK CAM ASSEMBLY
017	<a href="#">208042</a>		Switch, Sensor
018	<a href="#">207948</a>		Coin Drop Assembly
"	NLA	Not Available	(CAN.)
019	<a href="#">207947</a>		Rejector, Coin
"	<a href="#">207949</a>		Rejector, Coin
020	<a href="#">216200</a>		Face Plate Return Button
021	204216	Not Available	DOOR, ACCESS (WHT)
"	<a href="#">204216L</a>		Door, Access
022	22001354	<a href="#">W10177242</a>	Hex-Nut 9/32 - 28
023	<a href="#">22001355</a>		Nut, Lock Cam
024	<a href="#">206799</a>		Optic Switch Assembly
025	<a href="#">314665</a>		Screw, Switch Assembly
026	<a href="#">216068</a>		Screw, Coin Drop
027	216010	<a href="#">Y208306</a>	Kit- Mtg C
028	NLA	Not Available	BRACKET, SENSOR SWITCH
029	NLA	Not Available	SCREW, BRACKET
030	<a href="#">208045</a>		Harness, Wire Sensor Switch To Circuit Brd
031	912012	<a href="#">3400409</a>	Screw

