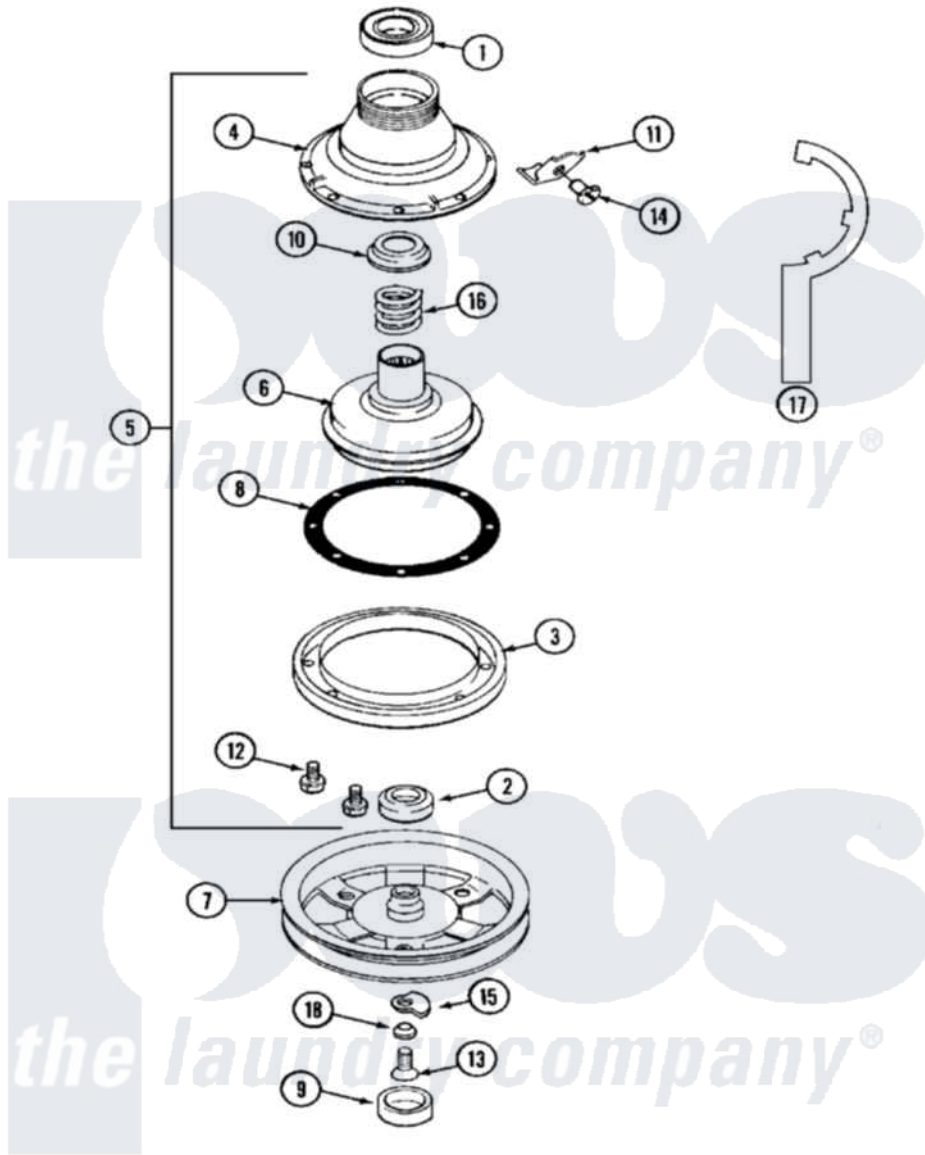


# Maytag MAT12CSAKL 07 - CLUTCH & BRAKE



Maytag [Commercial Maytag MAT12CSAKL Washer Parts](#) Parts Diagram 07 - CLUTCH & BRAKE  
 Click on the part number to view part

Item	Original Part Number	Replaced By	Status	Part Description
001	Y200720	<a href="#">22003441</a>		Bearing, Rear
002	<a href="#">200835</a>			Bearing, Brake Rotor
003	211043	<a href="#">6-2011900</a>		Brake Asse
004	211045	<a href="#">6-2011900</a>		Brake Asse
005	201190	<a href="#">6-2011900</a>		Brake Asse
006	201126	<a href="#">6-2011900</a>		Brake Asse
007	211059	<a href="#">6-2301530</a>		Pulley
"	22001441	<a href="#">22002432</a>		Pulley Assembly
"	22002431	<a href="#">6-2301550</a>		Pulley Assembly
"	<a href="#">22002432</a>			Pulley Assembly
008	211042	<a href="#">6-2011900</a>		Brake Asse
009	<a href="#">22002428</a>			Cover, Dust
"	NLA		Not Available	CAP, OIL RETAINER
010	211039	<a href="#">6-2011900</a>		Brake Asse
011	<a href="#">213325</a>			Clip, Retaining
012	<a href="#">211000</a>			SCREW, BRAKE DRUM (HEX HEAD)

013	211375	<a href="#">681582</a>	Screw
014	<a href="#">213326</a>		Bolt, Sems Retaining Clip
015	<a href="#">211089</a>		Lug, Stop Pulley
016	211041	<a href="#">6-2011900</a>	Brake Asse
017	<a href="#">Y038315</a>	<a href="#">038315</a>	Tool
018	211090	<a href="#">22003555</a>	Washer, Stop Lug

