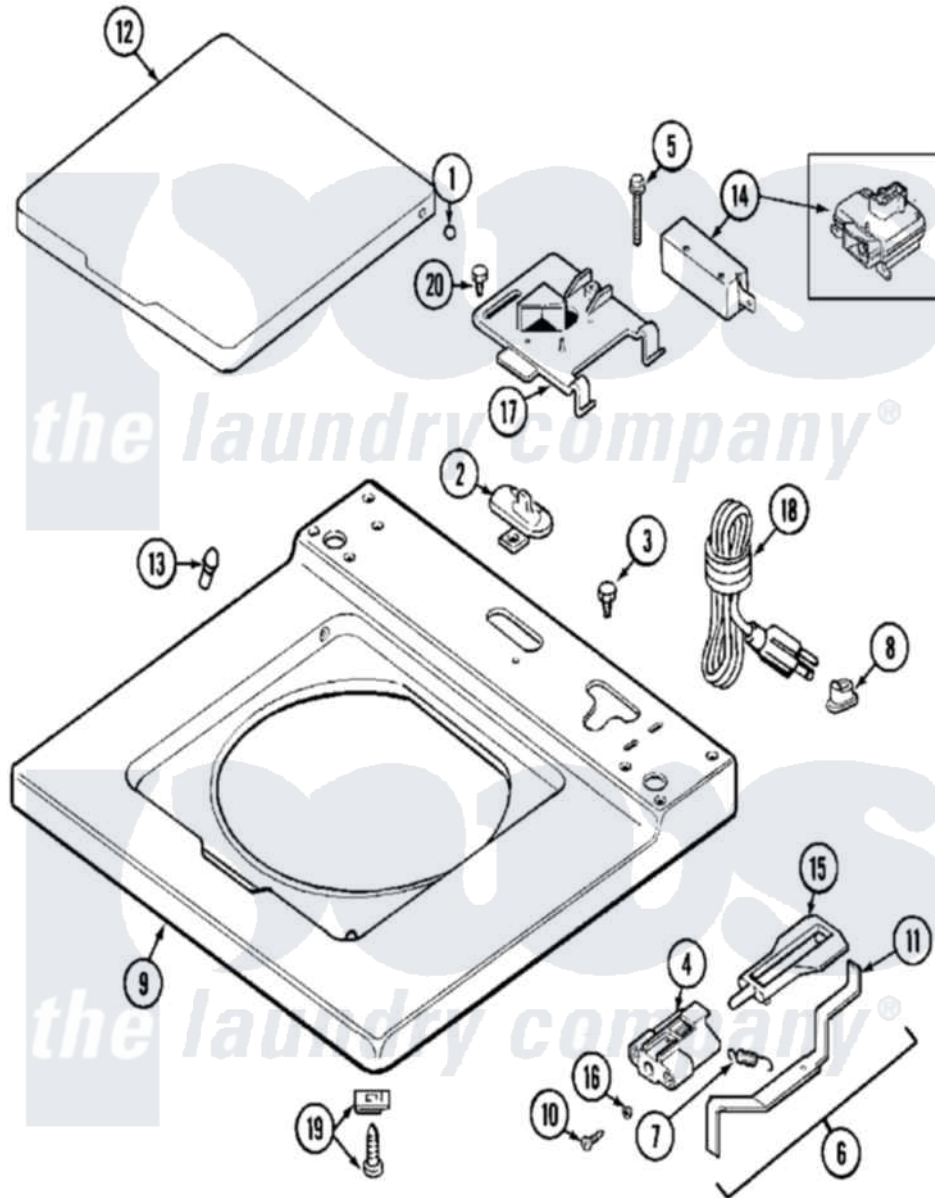


Maytag MAT12CSAKL 10 - TOP



Maytag [Commercial Maytag MAT12CSAKL Washer Parts](#) Parts Diagram 10 - TOP
 Click on the part number to view part

Item	Original Part Number	Replaced By	Status	Part Description
001	211726			Hinge, Ball Lid
002	207159	489355		Screw, 8 X 1/2
"	22001298			Cap, Top Cover
003	210186	3370225		Screw
004	22002135			Bracket, Unbalance
"	NLA		Not Available	BRACKET, UNBALANCE---- NA
005	213501			Screw, No.6-20 X 1-1/8 Inch
006	22001681			Unbalance Lever Assembly
"	22001969			Unbalance Lever Assembly
007	213720			Spring, Lid Switch
008	211881			Grommet, Cord Part Not Used- Gas Models Only
"	216183			Grommet, Cord Export
"	22002532	216183		Grommet, Cord Export
009	216423	3370225		Screw
"	22001867	22001970		Cover Assembly, Top

"	22001920		Fuse
"	22001921	10091101	Block-Fuse
"	22001970		Cover Assembly, Top
"	22001971	22002888	Cover, Top
"	22002142		Cover Assembly, Top --NA
"	NLA	Not Available	COVER, TOP (ALM)
010	910182	25-7809	Screw, No.6-20 1/2 Flthd Torx
011	22001672		Lever, Unbalance
"	22001968		Lever, Unbalance
012	22001341		Lid W/Legend
"	22001342	22002656	Lid, With Legend
"	22001594	22001341	Lid W/Legend
013	212716		Bumper, Lid
014	22001682		Switch Assembly, Lid W/4amp Fuse
"	22001922		Sub-Harness
"	22001967	12001908	Switch-Lid
"	22002383	22003813	Lid Switch
015	216255		Plunger, Lid Switch
016	211500		Washer, Bracket To Top Cover
017	22001678		Bracket, Switch And Fuse
018	205056	204590	Cord, Power
"	208569	Not Available	CORD, POWER
"	208746	Not Available	CORD, POWER (EXPORT)
"	208749	Not Available	CORD, POWER (EXPORT)
"	22001351	Not Available	CORD, POWER
"	22001549	22003062	Cord, Power
"	NLA	Not Available	CORD, POWER
019	204445		Screw And Fastener Assembly
020	207159	489355	Screw, 8 X 1/2
021	22003417		Actuator Kit

