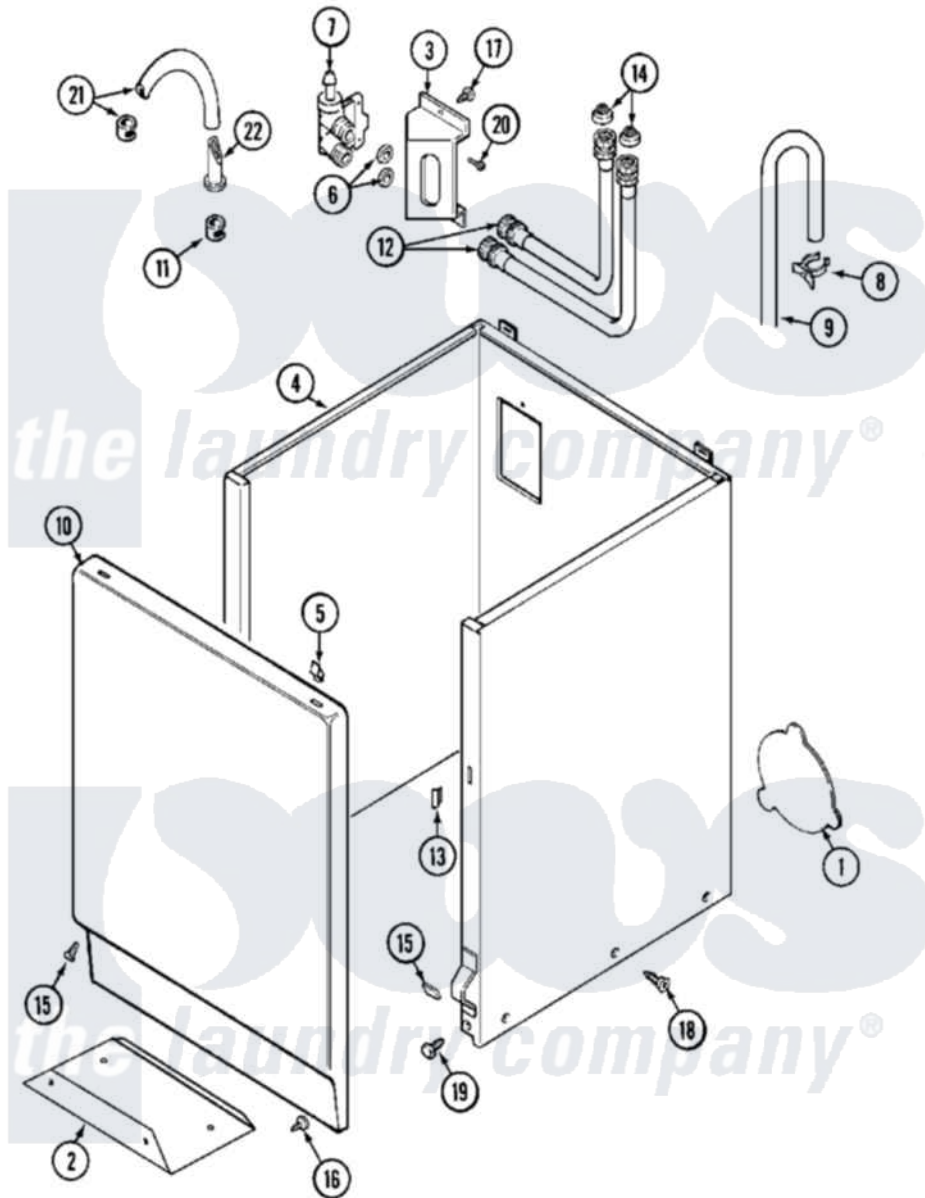


# Maytag MAT12CSDAW 04 - CABINET



Maytag [Commercial Maytag MAT12CSDAW Washer Parts](#) Parts Diagram 04 - CABINET  
 Click on the part number to view part

Item	Original Part Number	Replaced By	Status	Part Description
001	<a href="#">211294</a>	<a href="#">90767</a>		Screw, 8A X 3/8 HeX Washer Head Tapping
"	<a href="#">22002924</a>			Plate, Access
"	NLA		Not Available	PLATE, ACCESS
002	<a href="#">213846</a>			Guard, Belt
003	<a href="#">22002361</a>			Bracket, Water Valve
004	<a href="#">22001995</a>			Screw Note: Screw, Tumbler Front And Shroud
"	<a href="#">22002382</a>			Fastener, V-Bracket
"	<a href="#">22002425</a>			Bracket, "V"
"	22002657		Not Available	CABINET ASSEMBLY (BSQ)
"	22004424		Not Available	CABINET BSQ ASPACK
"	NLA		Not Available	CABINET (WHT)
005	<a href="#">22001650</a>			Fastener, Spring
006	<a href="#">Y013783</a>			Washer, Inlet Hose
007	205161	<a href="#">489503</a>		Clamp
"	<a href="#">22001604</a>			Valve, Water 120V 60Hz

008	<a href="#">22002151</a>		Clip, Hose
009	<a href="#">22003410</a>		Hose, Drain
"	<a href="#">22003814</a>		Retainer, Drain Hose
010	22001803	Not Available	PANEL, FRONT (WHT)
"	<a href="#">22002653</a>		Panel, Front
011	205161	<a href="#">489503</a>	Clamp
012	22003682	<a href="#">12001901</a>	Kit-Inlet Hose Assembly
"	22003683	<a href="#">12001900</a>	Kit-Inlet Hose Assembly
013	<a href="#">22002331</a>		Spacer, Front Panel
014	<a href="#">22002960</a>		Strainer, Washer Inlet
015	<a href="#">213325</a>		Clip, Retaining
"	<a href="#">22001496</a>		Front Panel Fastener And Screw
016	<a href="#">211294</a>	<a href="#">90767</a>	Screw, 8A X 3/8 HeX Washer Head Tapping
017	22003817	<a href="#">3370225</a>	Screw
018	<a href="#">33002190</a>		SCrew, C BraCe, BraCket, Cabinet
019	<a href="#">213121</a>	<a href="#">3400111</a>	Screw, 12-14 X 5/8
"	<a href="#">213122</a>	<a href="#">27001200</a>	Screw
020	<a href="#">Y313561</a>		Screw---NA
021	22001608	<a href="#">22001954</a>	Injector Hose And Clamp Kit
022	<a href="#">22001900</a>		Preventer, Back Flow

