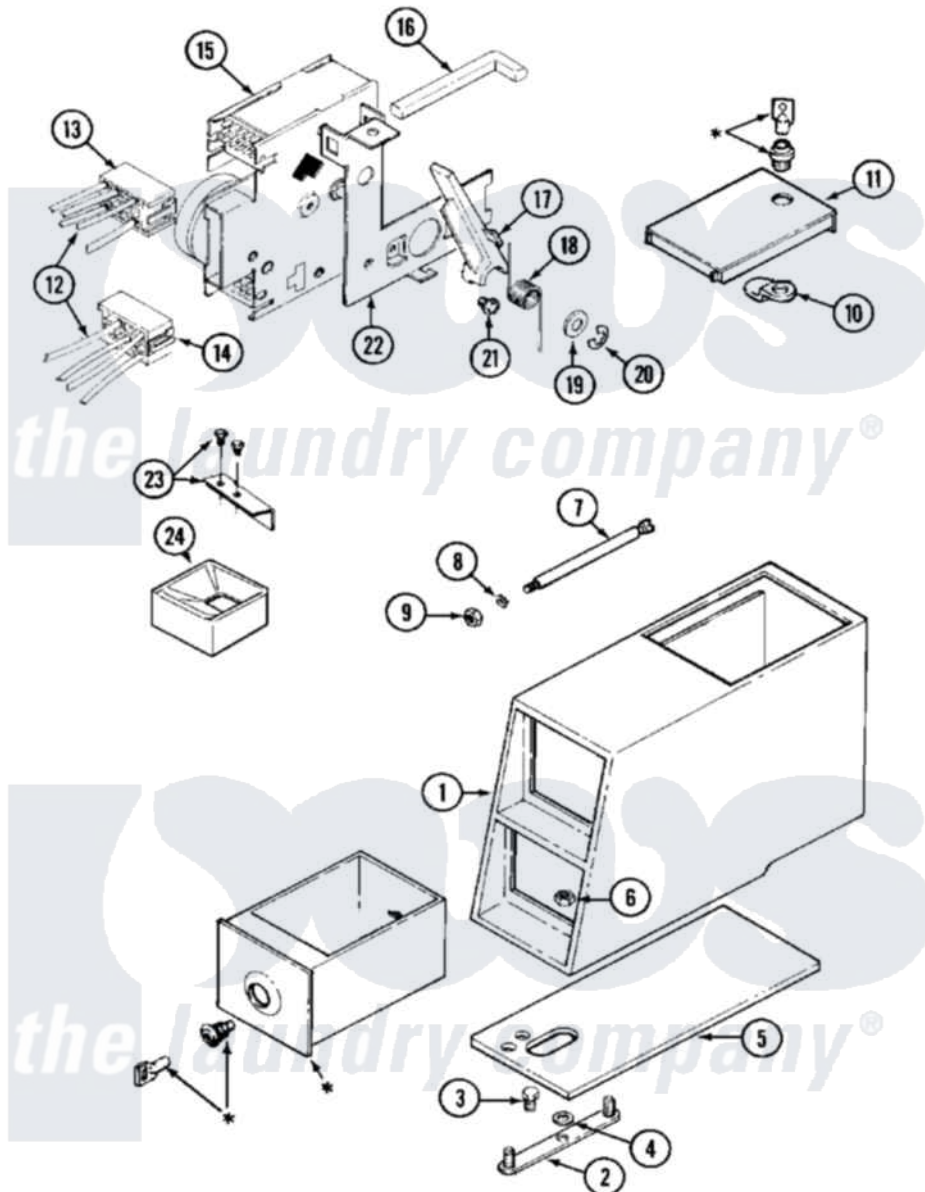


# Maytag MAT12CSFWQ 02 - CONTROL CENTER



\* CONTACT YOUR COMMERCIAL LAUNDRY DISTRIBUTOR

Maytag [Commercial Maytag MAT12CSFWQ Washer Parts](#) Parts Diagram 02 - CONTROL CENTER

[Click on the part number to view part](#)

Item	Original Part Number	Replaced By	Status	Part Description
001	22002478		Not Available	VAULT, COIN (WHT) (ORIGINAL COIN VAULT NLA USE
"	<a href="#">22002885</a>			Vault, Coin
002	22001810		Not Available	STRAP, MOUNTING
003	<a href="#">211294</a>	<a href="#">90767</a>		Screw, 8A X 3/8 HeX Washer Head Tapping
004	<a href="#">910309</a>			Washer, Mounting Strap
005	<a href="#">22001870</a>			Gasket, Coin Vault
"	<a href="#">22002599</a>			Gasket, Coin Vault
006	<a href="#">Y052740</a>	<a href="#">62739</a>		Nut, Lock
007	22001903	<a href="#">8576635</a>		Bolt
008	<a href="#">910387</a>			Lockwasher, Vault Assembly
009	<a href="#">Y052721</a>			Nut, Terminal Block Plate
010	<a href="#">22003677</a>			Nut, Locking Cam
"	NLA		Not Available	CAM, LOCKING
011	<a href="#">22003679</a>			Timer Access Door Assembly

"	<a href="#">22003692</a>		Timer Access Door Assembly
012	<a href="#">22002324</a>		Wire Harness
013	<a href="#">22001885</a>		Housing, Connector ---N
014	<a href="#">22001886</a>		Housing, Connector
015	<a href="#">22001083</a>		Timer
016	<a href="#">216442</a>		Rod, Actuator
017	<a href="#">22001042</a>		Pivot Arm, Timer
018	<a href="#">214663</a>		Spring For Timer Lever
019	<a href="#">22001398</a>		Retainer, Spring---NA
020	<a href="#">Y312270</a>		Clip, Spring Retainer
021	<a href="#">216412</a>		Screw, Bracket To Timer
022	<a href="#">22001043</a>		Bracket, Timer
023	22001811	<a href="#">22003415</a>	Actuator K
024	22001913	<a href="#">22003600</a>	Kit- Door
"	<a href="#">22002533</a>		Weld Assembly, Funnel
"	<a href="#">22003794</a>		Kit, Door Actuator For Bisque Also

