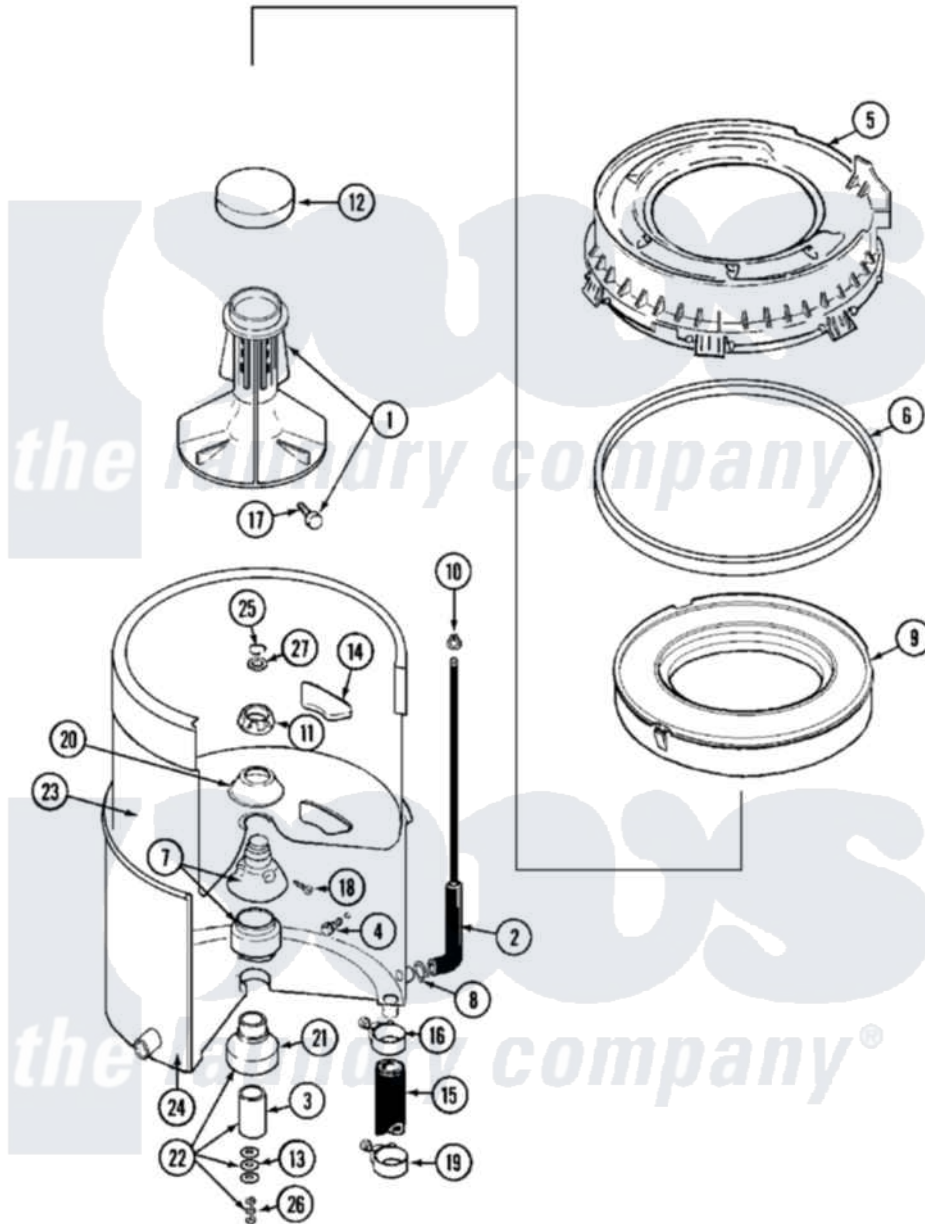


# Maytag MAT12CSLWQ 05 - TUB



Maytag [Commercial Maytag MAT12CSLWQ Washer Parts](#) Parts Diagram 05 - TUB  
 Click on the part number to view part

Item	Original Part Number	Replaced By	Status	Part Description
001	<a href="#">208543</a>			Agitator
002	<a href="#">22001619</a>			Tube, Water Level Switch
003	<a href="#">211130</a>			Bearing Liner, Tub Bearing
004	<a href="#">200744</a>	<a href="#">W10175939</a>		Bolt
"	<a href="#">205254</a>	<a href="#">W10175938</a>		Bolt
005	22001606	<a href="#">12001270</a>		Kit, Injector Acc.
006	Y22001201	<a href="#">22001007</a>		Gasket, Cover To Tub
007	22001648	<a href="#">6-2095720</a>		Mounting S
008	<a href="#">211641</a>			Clamp, 1-1/16"
009	<a href="#">22001142</a>			Ring, Balance
010	410296	<a href="#">596669</a>		Clamp, Manifold
011	211047	<a href="#">6-2110472</a>		Nut- Clamp
012	<a href="#">215532</a>			Cap, Agitator
013	<a href="#">211100</a>			Washer, Outer Tub
014	<a href="#">215980</a>			Plug, Filter Hole
015	<a href="#">Y212989</a>			Hose, Outer Tub To Pump

016	22001640	<a href="#">285655</a>	Clamp, Hose
017	206478	Not Available	SCREW & WASHER FOR AGITATOR
018	<a href="#">22001423</a>		Set Screw, Mounting Stem
019	22001640	<a href="#">285655</a>	Clamp, Hose
020	<a href="#">211210</a>		Washer, Clamping Nut
021	200824	<a href="#">6-2040130</a>	Tub Bearin
022	204013	<a href="#">6-2040130</a>	Tub Bearin
023	22001140	<a href="#">Y2201881</a>	Tub, Inner Short White SP
024	<a href="#">22003312</a>		Tub, Outer
025	<a href="#">Y015667</a>		Retaining Ring
026	<a href="#">Y054867</a>		Washer, Lock
027	<a href="#">Y015666</a>		Washer, Retaining -

*the laundry company*<sup>®</sup>

*the laundry company*<sup>®</sup>

*the laundry company*<sup>®</sup>