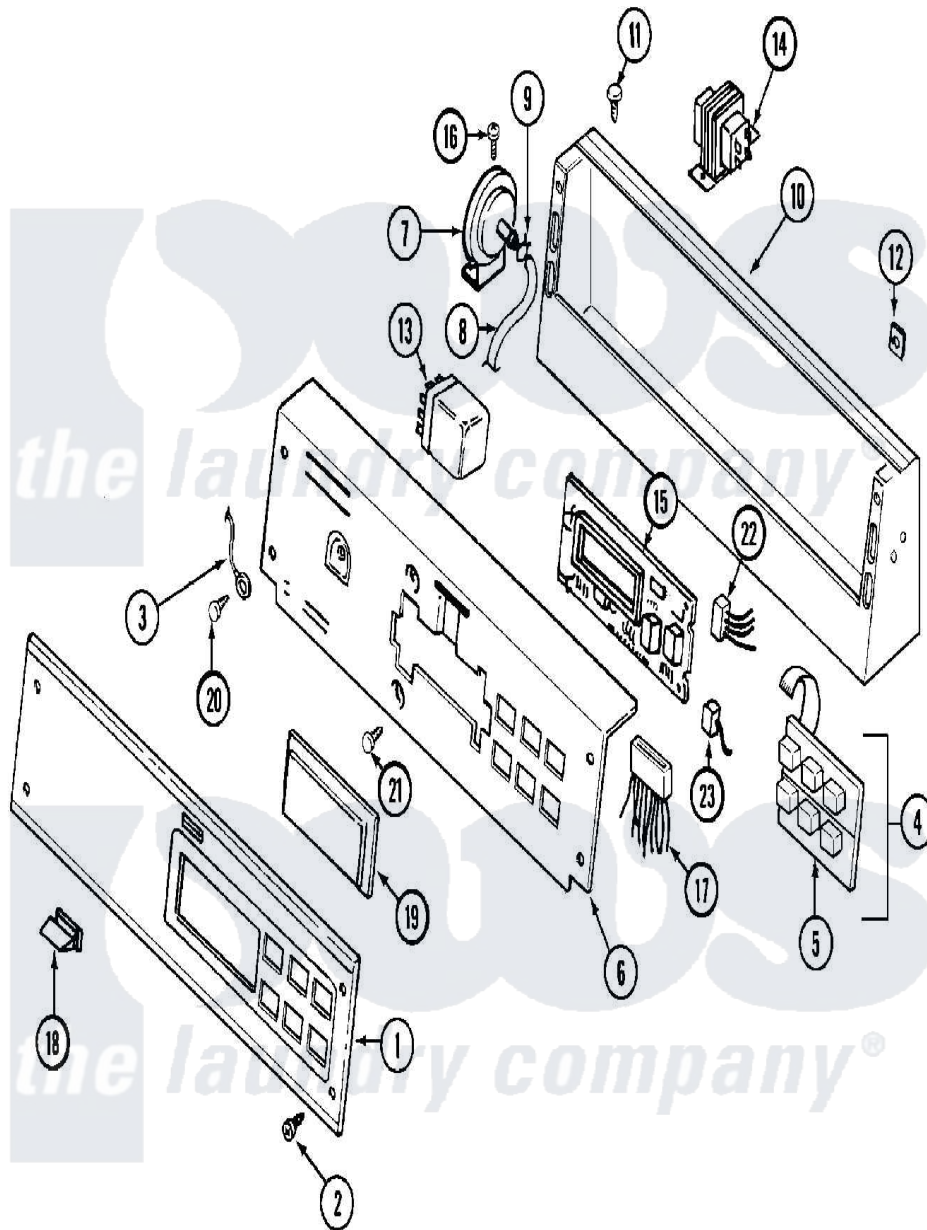


# Maytag MAT12PDAGW 01 - CONTROL PANEL (MAT12PDAG/PDEG/PSAG)



Maytag [Commercial Maytag MAT12PDAGW Washer Parts](#) Parts Diagram 01 - CONTROL PANEL (MAT12PDAG/PDEG/PSAG)

[Click on the part number to view part](#)

Item	Original Part Number	Replaced By	Status	Part Description
001	<a href="#">22001865</a>			Panel, Control----S
"	<a href="#">22001877</a>			Panel, Control
"	22001958	<a href="#">22004305</a>		Facia, Pd/Ps
"	<a href="#">22002141</a>			Panel, Control
"	<a href="#">22004288</a>			Facia - Pd/Ps
002	<a href="#">215506</a>			Screw, Control Panel Overlay
003	<a href="#">204807</a>			Ground Wire, Supp. Plte To Top Cover
"	<a href="#">22001959</a>			Wire, Ground
004	206808	<a href="#">W10135389</a>		Push Button And Switch Assembly
"	<a href="#">215526</a>			Screw, Circuit Board
005	215517	<a href="#">W10131113</a>		Push Button
006	<a href="#">22001513</a>			Bracket, Back
"	<a href="#">22001961</a>			Bracket, Back
007	<a href="#">22001308</a>			Switch, Water Level

008	22001617	<a href="#">22001619</a>	Tube, Water Level Switch
"	<a href="#">22001619</a>		Tube, Water Level Switch
009	410296	<a href="#">596669</a>	Clamp, Manifold
010	<a href="#">206780</a>		Control Cover Assembly
011	212276	<a href="#">W10116760</a>	Screw
012	<a href="#">215003</a>		Fastener, Panel And Bracket
013	<a href="#">206421</a>		Relay, Motor Reversing
"	<a href="#">22001418</a>		Plate, Relay
014	<a href="#">22001417</a>		Transformer
"	<a href="#">22001960</a>		Transformer
"	<a href="#">22002139</a>		Transformer
015	22001511	<a href="#">22002954</a>	Deflector, Water
"	22001955	<a href="#">22004222</a>	Commercial D.C. Control Board
"	22004048	<a href="#">22004222</a>	Commercial D.C. Control Board
"	<a href="#">33001204</a>		Stand-Off, Ccontrol Board
"	<a href="#">912077</a>		Locknut, Reader Harness
"	NLA	Not Available	CIRCUIT BOARD ASSEMBLY
"	NLA	Not Available	KIT, BATTERY & SUPPORT
"	<a href="#">Y215513</a>		Standoff, Circuit Board
016	<a href="#">211294</a>	<a href="#">90767</a>	Screw, 8A X 3/8 HeX Washer Head Tapping
017	22002140	<a href="#">22004206</a>	Harness As Pack
"	22002699	<a href="#">902577</a>	Capacitor, Thermostat
"	<a href="#">22004393</a>		Harness, Wire
"	<a href="#">314531</a>		Connector, Edgeboard
"	NLA	Not Available	WIRE HARNESS, MAIN---NA
"	<a href="#">Y312953</a>		Terminal, Edgeboard
018	<a href="#">214610</a>		Bumper, Lid
019	22001962	<a href="#">W10131114</a>	Cover, Display
"	<a href="#">33001208</a>		Cover, Display
020	210186	<a href="#">3370225</a>	Screw
021	215527	<a href="#">W10140652</a>	Screw, 6-20 X 1/2
022	<a href="#">206799</a>		Optic Switch Assembly
"	<a href="#">22001965</a>		Optic Switch Assembly
"	NLA	Not Available	CONNECTOR, EDGEBOARD---NA
023	<a href="#">208045</a>		Harness, Wire Sensor Switch To Circuit Brd
"	<a href="#">22001361</a>		Connector, Edgeboard
"	<a href="#">22001966</a>		Harness, Sensor Switch