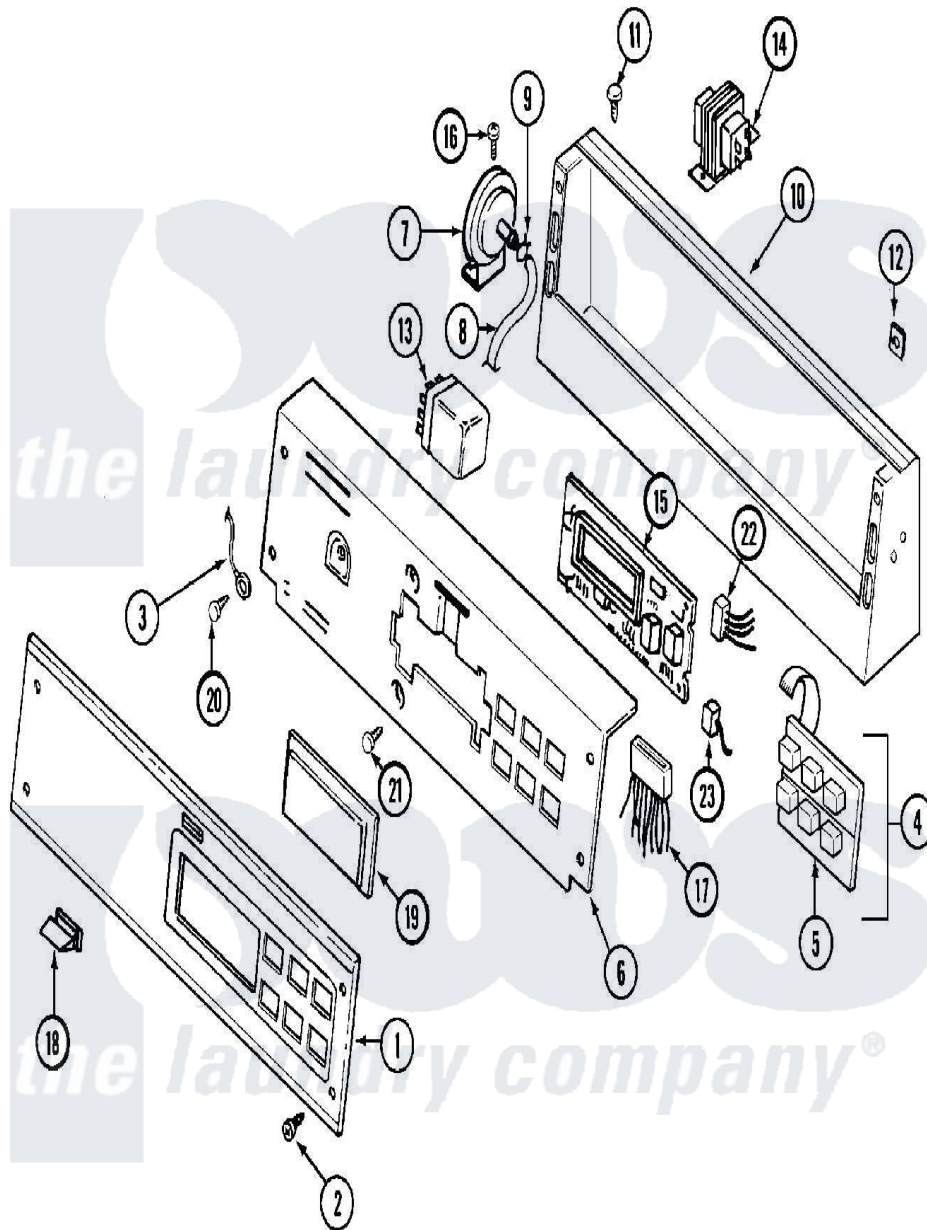


Maytag MAT12PDBBW 01 - CONTROL PANEL



Maytag [Commercial Maytag MAT12PDBBW Washer Parts](#) Parts Diagram 01 - CONTROL PANEL
 Click on the part number to view part

| Item | Original Part Number | Replaced By | Status | Part Description |
|------|--------------------------|---------------------------|--------|---------------------------------|
| 001 | 22001958 | 22004305 | | Facia, Pd/Ps |
| 002 | 215506 | | | Screw, Control Panel Overlay |
| 003 | 22001959 | | | Wire, Ground |
| 004 | 206808 | W10135389 | | Push Button And Switch Assembly |
| " | 215526 | | | Screw, Circuit Board |
| 005 | 215517 | W10131113 | | Push Button |
| 006 | 206780 | | | Control Cover Assembly |
| " | 22001964 | 22002904 | | Bracket, Back |
| 007 | 22001308 | | | Switch, Water Level |
| 008 | 22001619 | | | Tube, Water Level Switch |
| 009 | 410296 | 596669 | | Clamp, Manifold |
| 010 | 206780 | | | Control Cover Assembly |
| " | 206780L | 206780 | | Control Cover Assembly |
| " | 22003091 | | | Console |
| " | 22003092 | | | Console |
| 011 | 212276 | W10116760 | | Screw |

| | | | |
|-----|--------------------------|---------------------------|---|
| 012 | 215003 | | Fastener, Panel And Bracket |
| 013 | 206421 | | Relay, Motor Reversing |
| " | 206824 | W10133335 | Relay, Motor |
| 014 | 211294 | 90767 | Screw, 8A X 3/8 HeX Washer Head Tapping |
| " | 22001960 | | Transformer |
| " | Y313559 | | Screw |
| 015 | 22001511 | 22002954 | Deflector, Water |
| " | 22001955 | 22004222 | Commercial D.C. Control Board |
| " | 33001204 | | Stand-Off, Ccontrol Board |
| " | 912077 | | Locknut, Reader Harness |
| " | NLA | Not Available | KIT, BATTERY & SUPPORT |
| 016 | 211294 | 90767 | Screw, 8A X 3/8 HeX Washer Head Tapping |
| 017 | 22001963 | | Wire Harness, Main |
| " | 22002699 | 902577 | Capacitor, Thermostat |
| " | 22002986 | | Wire Harness, Main |
| " | 314531 | | Connector, Edgeboard |
| " | Y312953 | | Terminal, Edgeboard |
| 018 | 214610 | | Bumper, Lid |
| 019 | 22001962 | W10131114 | Cover, Display |
| 020 | 210186 | 3370225 | Screw |
| 021 | 215527 | W10140652 | Screw, 6-20 X 1/2 |
| 022 | 22001965 | | Optic Switch Assembly |
| " | NLA | Not Available | CONNECTOR, EDGEBOARD- ---NA |
| 023 | 22001361 | | Connector, Edgeboard |
| " | 22001966 | | Harness, Sensor Switch |

the laundry company[®]

lows
the laundry company[®]