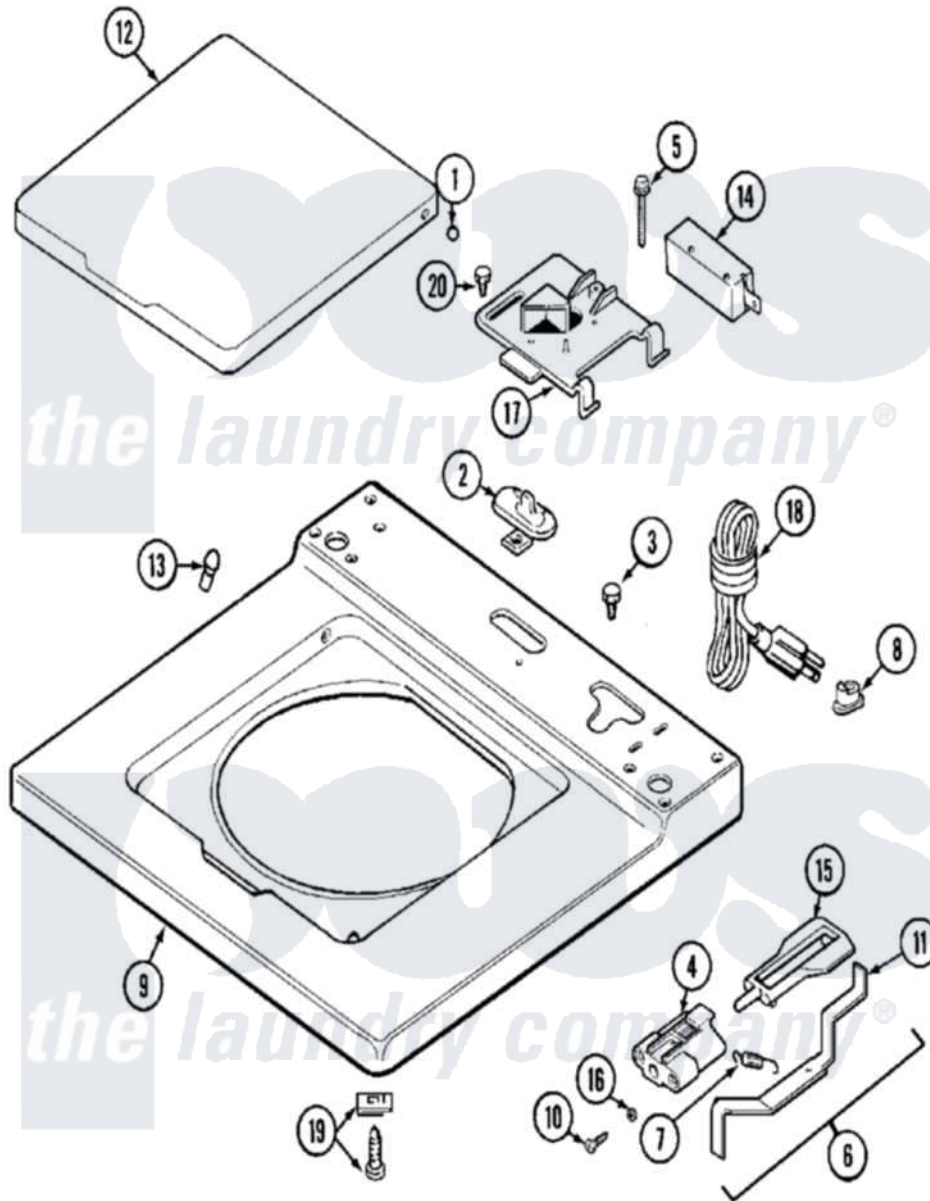


# Maytag MAT13PDAAW 03 - TOP



Maytag [Commercial Maytag MAT13PDAAW Washer Parts](#) Parts Diagram 03 - TOP  
 Click on the part number to view part

Item	Original Part Number	Replaced By	Status	Part Description
001	<a href="#">211726</a>			Hinge, Ball Lid
002	207159	<a href="#">489355</a>		Screw, 8 X 1/2
"	<a href="#">22001298</a>			Cap, Top Cover
003	210186	<a href="#">3370225</a>		Screw
004	NLA		Not Available	BRACKET, UNBALANCE---- NA
005	<a href="#">213501</a>			Screw, No.6-20 X 1-1/8 Inch
006	<a href="#">22001681</a>			Unbalance Lever Assembly
007	<a href="#">213720</a>			Spring, Lid Switch
008	<a href="#">211881</a>			Grommet, Cord Part Not Used- Gas Models Only
009	22001867	<a href="#">22001970</a>		Cover Assembly, Top
010	910182	<a href="#">25-7809</a>		Screw, No.6-20 1/2 Flthd Torx
011	<a href="#">22001672</a>			Lever, Unbalance
012	<a href="#">22001341</a>			Lid W/Legend
013	<a href="#">212716</a>			Bumper, Lid
014	205415	<a href="#">279347</a>		Switch-Lid

015	<a href="#">216255</a>		Plunger, Lid Switch
016	<a href="#">211500</a>		Washer, Bracket To Top Cover
017	<a href="#">22001678</a>		Bracket, Switch And Fuse
018	22001642	<a href="#">22001345</a>	Cord, Power
019	<a href="#">204445</a>		Screw And Fastener Assembly
020	207159	<a href="#">489355</a>	Screw, 8 X 1/2

