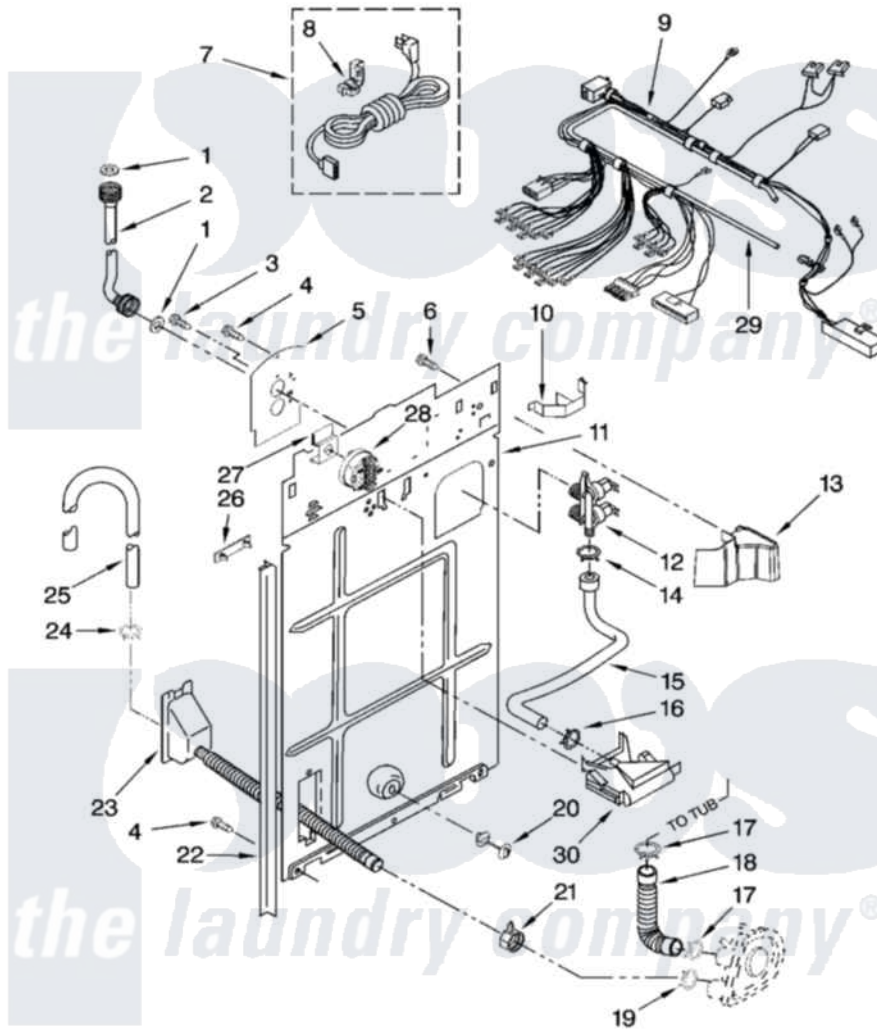


# Maytag MAT14CSBGW0 04 - REAR PANEL PARTS

## REAR PANEL PARTS

For Model: MAT14CSBGW0  
(White)



W10135307

6

Maytag [Commercial Maytag MAT14CSBGW0 Washer Parts](#) Parts Diagram 04 - REAR PANEL PARTS  
Click on the part number to view part

Item	Original Part Number	Replaced By	Status	Part Description
1	3976300	<a href="#">16123</a>		Washer Inlet-Hose Miscellaneous Parts Must be Ordered Separately.
2	<a href="#">3949383</a>			Hose, Water Inlet
"	<a href="#">3949382</a>			Hose, Water Inlet
3	<a href="#">9740848</a>			Screw, Mixing Valve Mounting
4	62863	<a href="#">3390631</a>		Screw, 10-16 X 3/8
5	8541624	<a href="#">285930</a>		Plate
6	<a href="#">3351614</a>			Screw, Gearcase Cover Mounting
7	<a href="#">W10162486</a>			Cord, Power
"	BLANK		Not Available	(Parts Not Shown)
"	<a href="#">W10153836</a>			10A Cord Lock
"	<a href="#">W10223804</a>			10A Cord, Adapters
"	<a href="#">W10223809</a>			10A Cord Adapters
"	<a href="#">W10223807</a>			10A Cord Adapters
8	8559337	<a href="#">285777</a>		Relief-Str

9	<a href="#">W10186655</a>		Harness, Wiring
10	<a href="#">8055003</a>		Clip, Harness And Pressure Switch
11	8541649	<a href="#">285929</a>	Panel-Rear
12	<a href="#">3360397</a>		Valve, Water Mixing
13	<a href="#">8314879</a>		Shield, Inlet Valve
14	W10096851	<a href="#">596669</a>	Clamp, Manifold
15	8541607	<a href="#">3357328</a>	Hose, Vacuum Break
16	W10096852	<a href="#">596669</a>	Clamp, Manifold
17	W10094820	<a href="#">616099</a>	Clamp
18	W10116973	<a href="#">285871</a>	Hose
19	W10142630	<a href="#">285655</a>	Clamp, Hose
20	<a href="#">8519200</a>		Support, Rear Panel
21	<a href="#">3976395</a>		Restraint, Hose
22	3354204	<a href="#">62747</a>	Pad, Rear Panel
23	<a href="#">W10180690</a>	<a href="#">W10358151</a>	Drain Hose Assembly
24	<a href="#">3976395</a>		Restraint, Hose
25	<a href="#">W10141216</a>		Hose, Discharge Gooseneck
26	<a href="#">389379</a>		Retainer, Side To Feature Panel
27	<a href="#">W10133269</a>		Bracket, Pressure Switch
28	<a href="#">W10153112</a>		Pressure Switch Triple-Level
29	W10167585	<a href="#">353244</a>	Hose, Pressure Switch
30	<a href="#">3347034</a>		Break, Vacuum

*the laundry company®*

*the laundry company®*