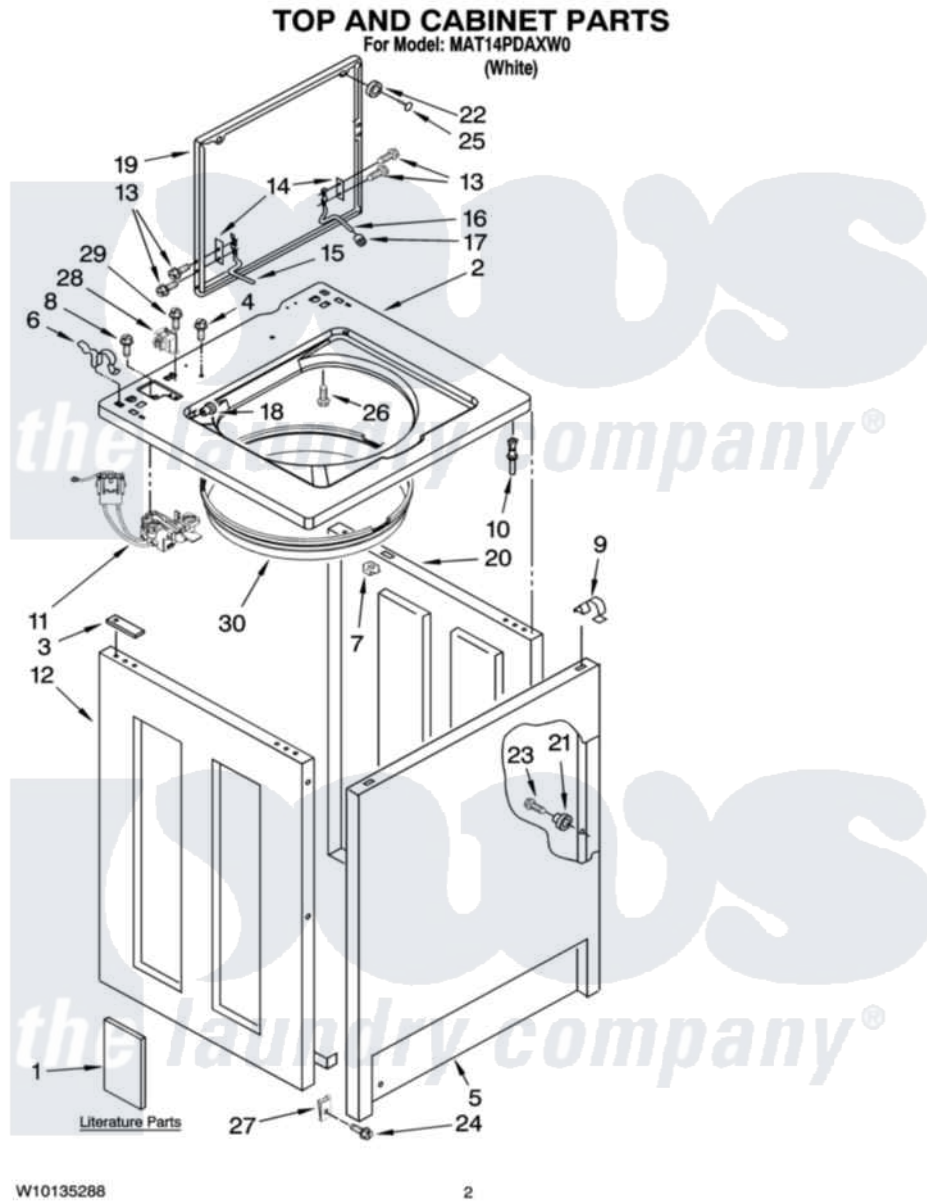


# Maytag MAT14PDAXW0 01 - TOP AND CABINET PARTS



Maytag [Commercial Maytag MAT14PDAXW0 Washer Parts](#) Parts Diagram 01 - TOP AND CABINET PARTS  
Click on the part number to view part

Item	Original Part Number	Replaced By	Status	Part Description
1	W10135283		Not Available	Installation Instructions (English)
"	W10135293		Not Available	Installation Instructions (Spanish)
"	W10135297		Not Available	Tech Sheet
"	<a href="#">W10135288</a>			Repair Parts List
2	<a href="#">W10136711</a>			Top
3	<a href="#">3353950</a>			Spacer, Cabinet To Top
4	<a href="#">3351614</a>			Screw, Gearcase Cover Mounting
5	<a href="#">3358500</a>			Panel, Front
6	<a href="#">62780</a>			Clip, Top And Cabinet And Rear Panel
7	<a href="#">90406</a>			Cage Nut, 5/16-18
8	<a href="#">3400611</a>			Screw And Washer, Lid Switch
9	<a href="#">18776</a>			Lock, Front Top
10	<a href="#">3353949</a>			Pin, Locator
11	<a href="#">8054980</a>			Switch, Lid

12	<a href="#">3976382</a>		Panel, Left Hand
13	<a href="#">W10119828</a>		Screw, Lid Hinge Mounting
14	<a href="#">21097</a>		Pad, Lid Hinge
15	<a href="#">8524784</a>		Hinge, Lid
16	<a href="#">54583</a>		Hinge, Lid
17	<a href="#">19119</a>		Bumper, Lid Hinge
18	<a href="#">21258</a>		Bearing, Lid Hinge
19	<a href="#">W10135387</a>	<a href="#">W10193854</a>	Lid
20	<a href="#">3976380</a>		Panel, Right Hand
21	<a href="#">3353812</a>		Locator
22	<a href="#">356908</a>		Bumper, Lid
23	718258	<a href="#">9741232</a>	Screw, 8-18 X 5/8
24	<a href="#">3400077</a>		Screw, 10-16 X 1/2
25	<a href="#">356907</a>		Rivet, Plastic
26	<a href="#">3353993</a>		Screw 10-16 X .690
27	<a href="#">98234</a>		Clip, U-Bend
28	<a href="#">W10131839</a>		Transformer 120 To 22.5 Vac
29	<a href="#">90767</a>		Screw, 8A X 3/8 HeX Washer Head Tapping
30	<a href="#">8271956</a>		Splash Shield Assembly

