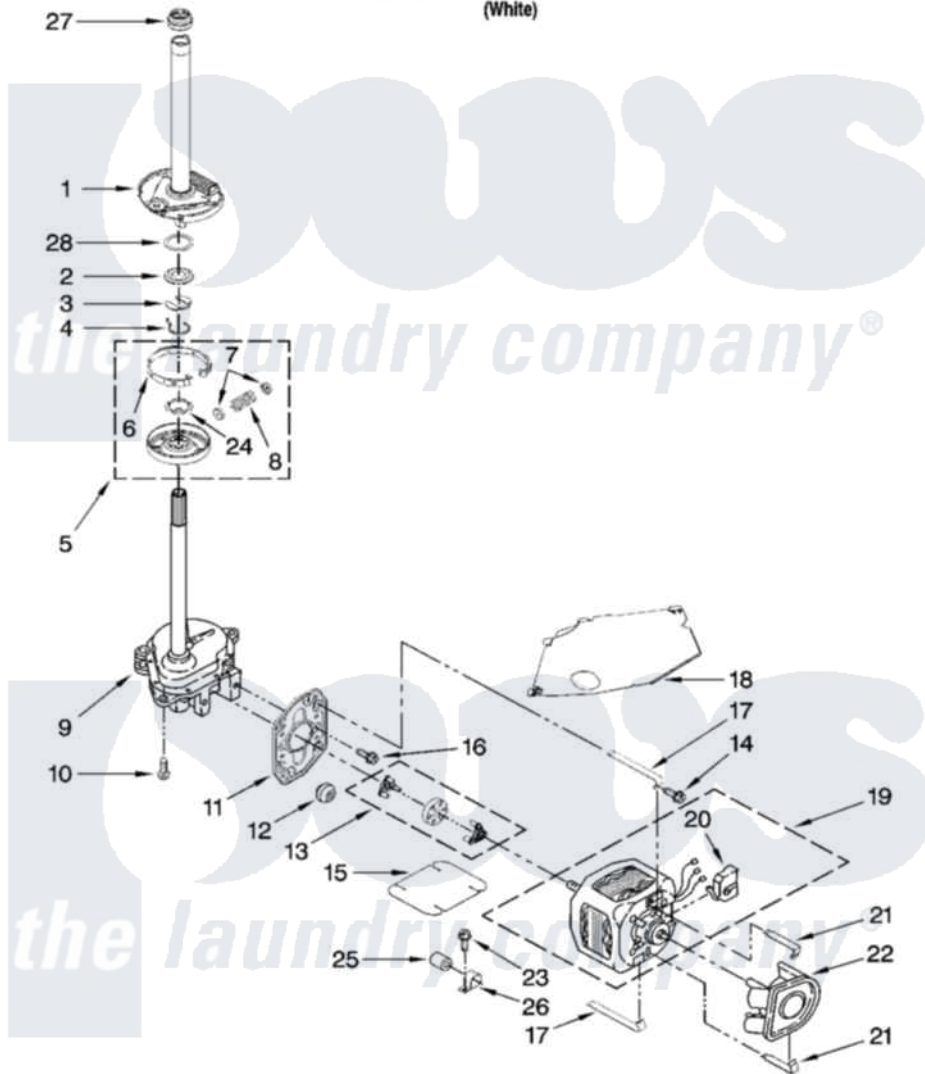


# Maytag MAT15MNAGW0 05 - BRAKE, CLUTCH, GEARCASE, MOTOR AND PUMP PARTS

## BRAKE, CLUTCH, GEARCASE, MOTOR AND PUMP PARTS

For Model: MAT15MNAGW0  
(White)



W10135301

10

Maytag [Commercial Maytag MAT15MNAGW0 Washer Parts](#) Parts Diagram 05 - BRAKE, CLUTCH, GEARCASE, MOTOR AND PUMP PARTS  
Click on the part number to view part

Item	Original Part Number	Replaced By	Status	Part Description
1	388952	<a href="#">285792</a>		Basketdrive
2	<a href="#">63292</a>			Washer, Spin Tube Thrust
3	62697	<a href="#">W10080230</a>		Ring, Spin Tube Support
4	63283	<a href="#">285353</a>		Ring
5	<a href="#">8299642</a>			Clutch
6	<a href="#">3951993</a>			Band And Lining, Clutch
7	<a href="#">62646</a>			Cap, Clutch Spring
8	<a href="#">8559387</a>			Spring And Damper Assembly
9	<a href="#">W10140303</a>			Gearcase
10	3357334	<a href="#">3400516</a>		Screw Anti-Rattle
11	<a href="#">62611</a>			Plate, Motor Mount To Gearcase
12	<a href="#">62691</a>			Grommet, Motor
13	3978849	<a href="#">285852A</a>		Coupling
14	3387485	<a href="#">273556</a>		Screw, 10-16 X 5/8

15	<a href="#">8316060</a>		Shield, Tub To Motor
16	<a href="#">3400516</a>		Screw Anti-Rattle
17	<a href="#">W10086010</a>		Retainer, Motor
18	<a href="#">3362089</a>		Shield, Tub To Motor
19	<a href="#">3950297</a>		Motor, Main Drive
NI	<a href="#">3354569</a>		Sleeve
20	<a href="#">3952056</a>		Switch, Main Drive Motor
21	<a href="#">8546127</a>		Retainer, Pump
22	<a href="#">3363394</a>		Pump
23	62863	<a href="#">3390631</a>	Screw, 10-16 X 3/8
24	<a href="#">3355454</a>		Clip, Main Drive
25	8572719	<a href="#">482156</a>	Capacitor
26	<a href="#">W10083210</a>		Clamp, Capacitor
27	<a href="#">8577374</a>		Seal, Centerpost
28	<a href="#">8578981</a>		Washer, Thrust

