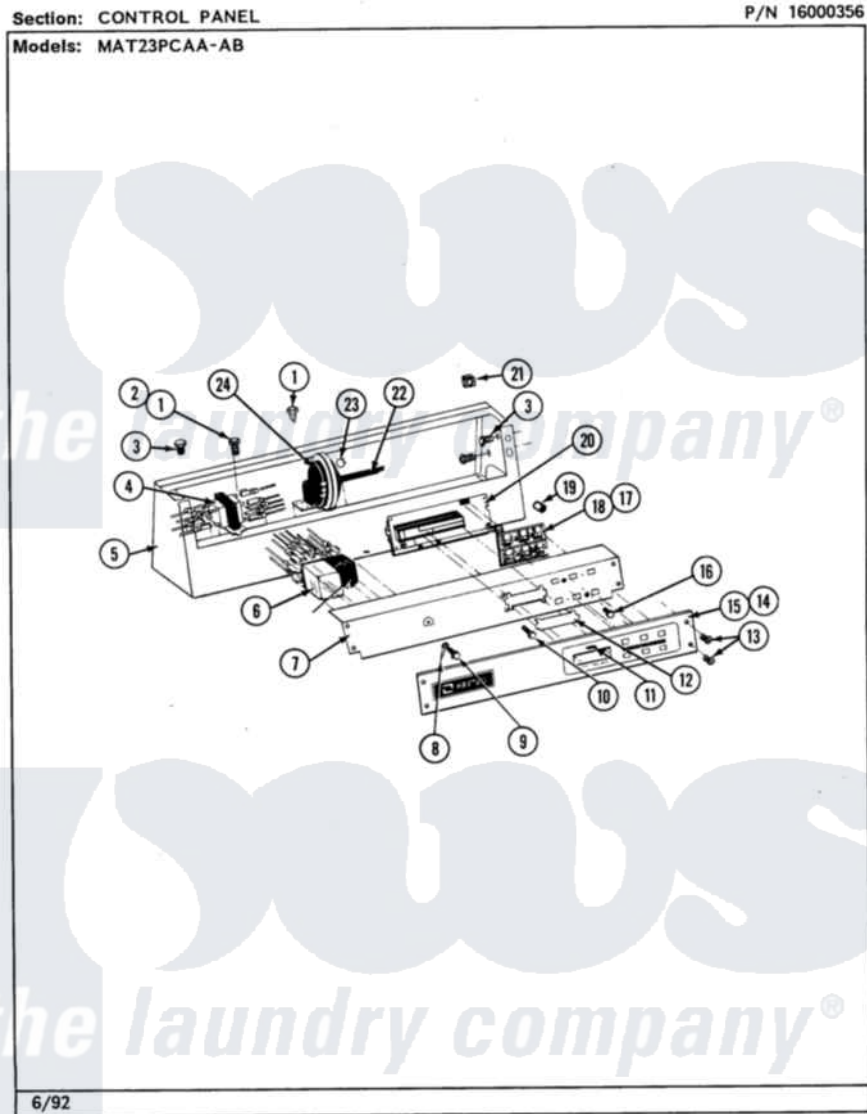


Maytag MAT23PCAA 01 - CONTROL PANEL



2

Maytag [Commercial Maytag MAT23PCAA Washer Parts](#) Parts Diagram 01 - CONTROL PANEL
Click on the part number to view part

| Item | Original Part Number | Replaced By | Status | Part Description |
|------|-------------------------|---------------------------|---------------|---|
| 001 | 211294 | 90767 | | Screw, 8A X 3/8 HeX Washer Head Tapping |
| 002 | Y313559 | | | Screw |
| 003 | 212276 | W10116760 | | Screw |
| 004 | 207766 | | | Transformer |
| 005 | 206780 | | | Control Cover Assembly |
| " | 206780L | 206780 | | Control Cover Assembly |
| " | NLA | | Not Available | (H. WHEAT) |
| 006 | 206421 | | | Relay, Motor Reversing |
| " | 212949 | 22001866 | | Screw, Relay |
| " | 215273 | | | Clip, Spring Relay |
| 007 | 206825 | 215516 | | Plate, Back-Up |
| " | NLA | | Not Available | (ALM) |
| 008 | 205810 | | | Wire, Ground |
| 009 | Y314322 | 211251 | | Screw, Transformer |
| 010 | 215526 | | | Screw, Circuit Board |
| 011 | 214610 | | | Bumper, Lid |

| | | | |
|-----|-------------------------|---------------------------|---------------------------------|
| 012 | 215515 | Not Available | COVER, DISPLAY |
| 013 | 215506 | | Screw, Control Panel Overlay |
| 014 | 215519 | | Panel, Control |
| 015 | 207767 | 22002954 | Deflector, Water |
| 016 | 215527 | W10140652 | Screw, 6-20 X 1/2 |
| 017 | 215517 | W10131113 | Push Button |
| 018 | 206808 | W10135389 | Push Button And Switch Assembly |
| 019 | Y215513 | | Standoff, Circuit Board |
| 020 | 206828 | | Battery |
| " | 215510 | Not Available | SUPPORT, PC BOARD |
| " | 912077 | | Locknut, Reader Harness |
| " | NLA | Not Available | CIRCUIT BOARD ASSEMBLY |
| 021 | 215003 | | Fastener, Panel And Bracket |
| 022 | 212942 | 22001619 | Tube, Water Level Switch |
| 023 | 410296 | 596669 | Clamp, Manifold |
| 024 | 203970 | | Switch, Water Level |

