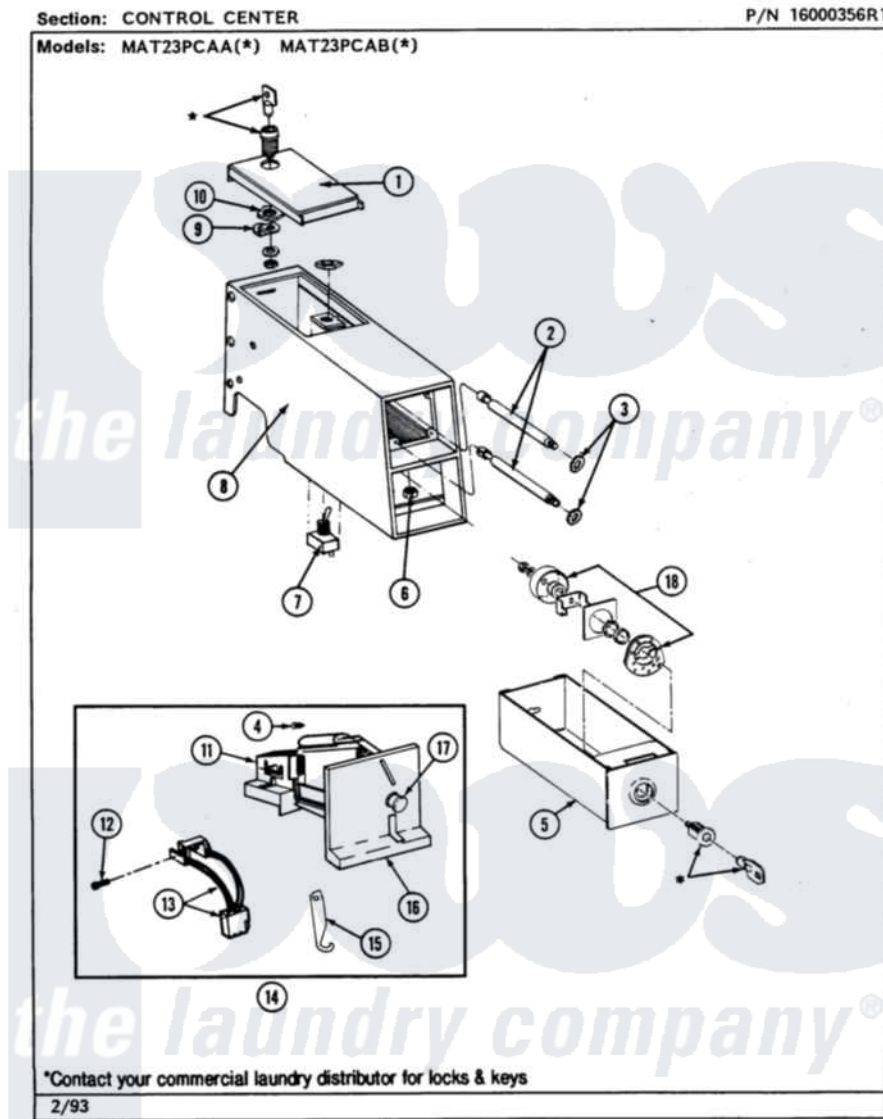


# Maytag MAT23PCAAL 02 - CONTROL CENTER



Maytag [Commercial Maytag MAT23PCAAL Washer Parts](#) Parts Diagram 02 - CONTROL CENTER  
 Click on the part number to view part

Item	Original Part Number	Replaced By	Status	Part Description
001	203188		Not Available	TIMER ACCESS DOOR (WHT)
"	203188L		Not Available	ACCESS DOOR-ALMOND
"	203188M		Not Available	ACCESS DOOR-HARVEST WHEAT
002	<a href="#">213035</a>			Bolt, Locking
003	<a href="#">910181</a>			Lockwasher, Terminal Block
004	NLA		Not Available	SCREW
005	207912	<a href="#">208884</a>		Coin Box K
"	207912L	<a href="#">208884</a>		Coin Box K
"	NLA		Not Available	(HWT)
006	<a href="#">Y052740</a>	<a href="#">62739</a>		Nut, Lock
007	206794		Not Available	SWITCH (W/NUT)
008	207940	<a href="#">22001407</a>		Case, Coin Slide
"	207940L	<a href="#">22001408</a>		(ALM)
"	NLA		Not Available	(HWT)
009	213750	<a href="#">W10133266</a>		Cam-Lock

010	212328	<a href="#">W10139762</a>	Hex Nut, 3/4-27
011	<a href="#">207947</a>		Rejector, Coin
012	<a href="#">314665</a>		Screw, Switch Assembly
013	<a href="#">206799</a>		Optic Switch Assembly
014	<a href="#">207948</a>		Coin Drop Assembly
015	<a href="#">216011</a>		Spring, Return Button
016	216010	<a href="#">Y208306</a>	Kit- Mtg C
017	<a href="#">216009</a>		BUTTON, RETURN
018	NLA	Not Available	CAMLOCK ASSEMBLY

