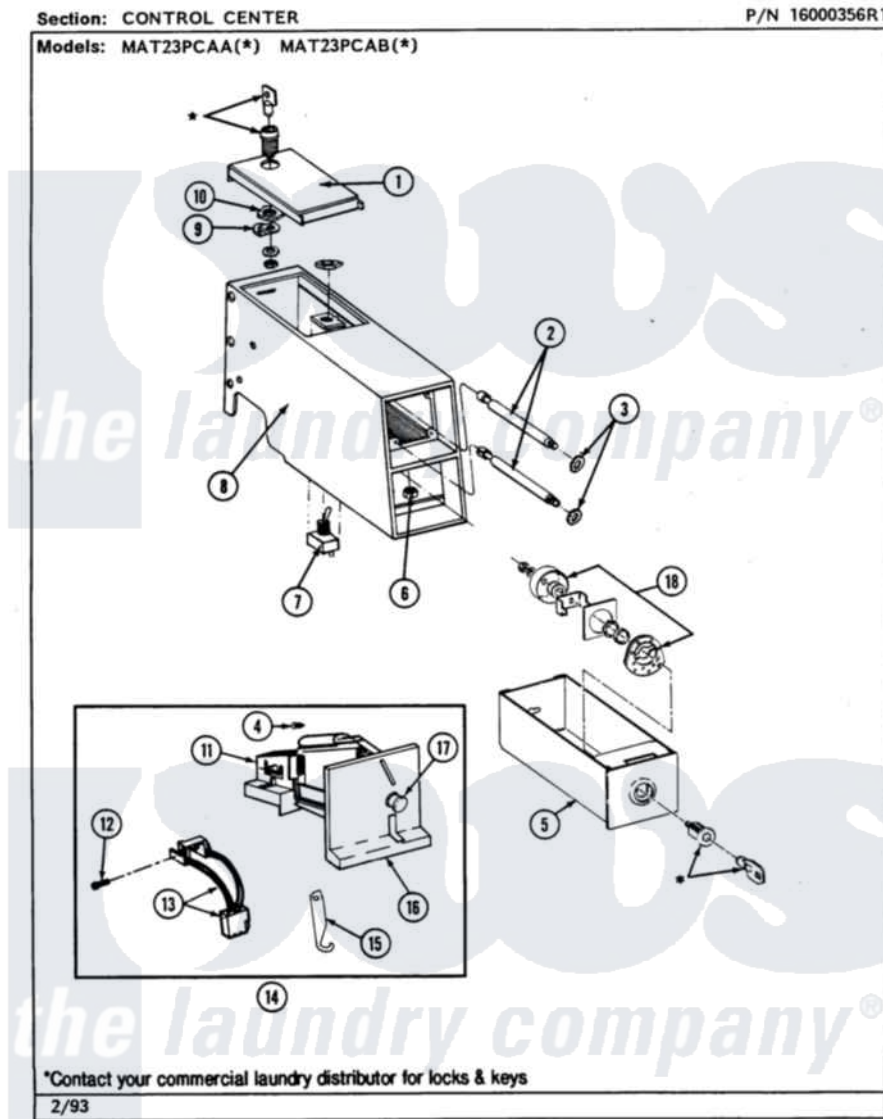


Maytag MAT23PCABG 01 - CONTROL CENTER



4

Maytag Commercial Maytag MAT23PCABG Washer Parts Parts Diagram 01 - CONTROL CENTER
 Click on the part number to view part

Item	Original Part Number	Replaced By	Status	Part Description
001	203188		Not Available	TIMER ACCESS DOOR (WHT)
"	203188L		Not Available	ACCESS DOOR-ALMOND
"	203188M		Not Available	ACCESS DOOR-HARVEST WHEAT
002	213035			Bolt, Locking
003	910181			Lockwasher, Terminal Block
004	NLA		Not Available	SCREW
005	207912	208884		Coin Box K
"	207912L	208884		Coin Box K
"	NLA		Not Available	(H. WHEAT)
006	Y052740	62739		Nut, Lock
007	206794		Not Available	SWITCH (W/NUT)
008	207940	22001407		Case, Coin Slide
"	207940L	22001408		(ALM)
"	NLA		Not Available	(H. WHEAT)
009	213750	W10133266		Cam-Lock

010	212328	W10139762	Hex Nut, 3/4-27
011	207949		Rejector, Coin
012	314665		Screw, Switch Assembly
013	206799		Optic Switch Assembly
014	NLA	Not Available	COIN DROP ASSY 25 CENTS
015	216011		Spring, Return Button
016	216010	Y208306	Kit- Mtg C
017	216009		BUTTON, RETURN
018	NLA	Not Available	CAMLOCK ASSY.

