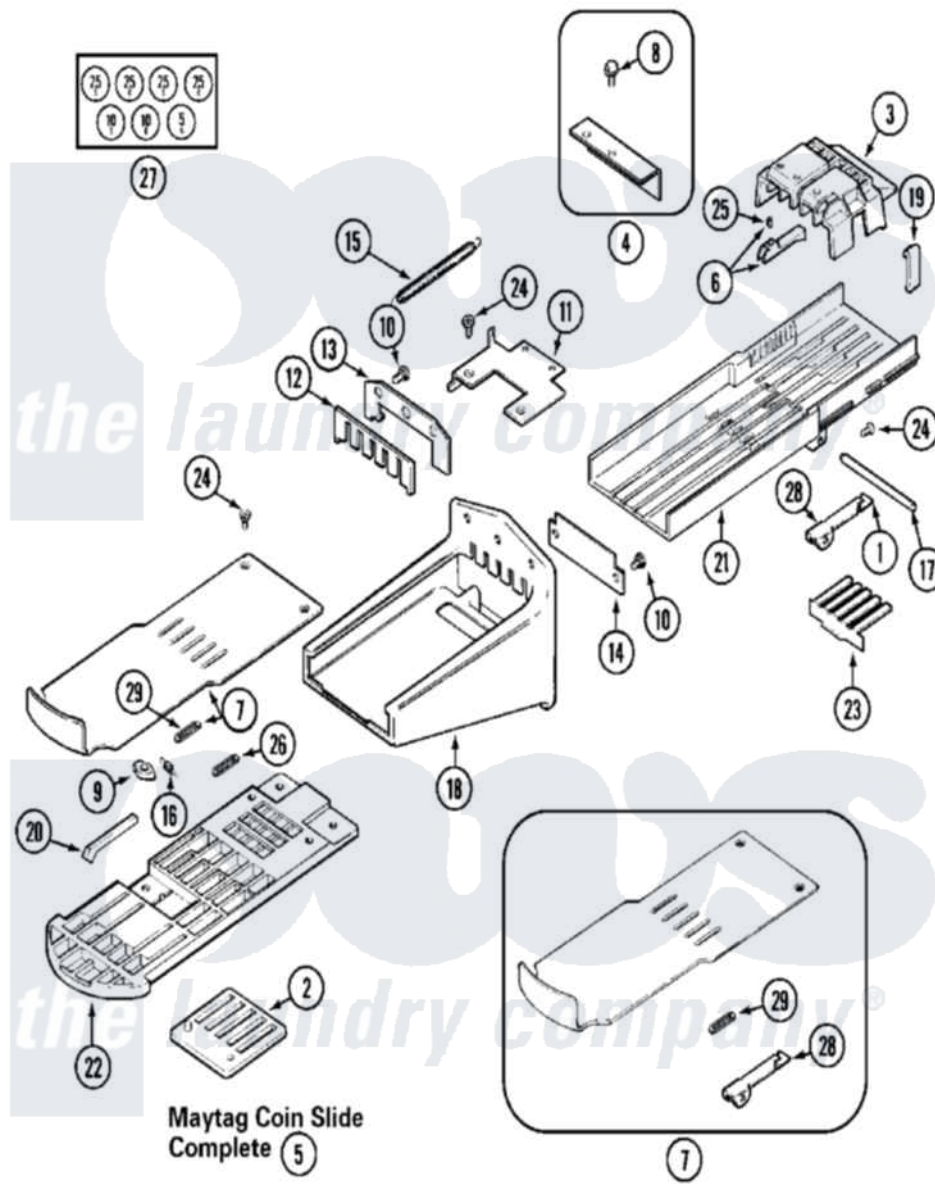


Maytag MAT25CSAAL 04 - COIN SLIDE



Maytag [Commercial Maytag MAT25CSAAL Washer Parts](#) Parts Diagram 04 - COIN SLIDE
 Click on the part number to view part

Item	Original Part Number	Replaced By	Status	Part Description
001	205343		Not Available	LOWER GAGE ARM ASSEMBLY
002	205350			Stop Block Assembly
003	NLA		Not Available	MEASURING BLOCK ASSEMBLY
004	205469		Not Available	ACTUATOR KIT FOR COIN SLIDE
005	NLA		Not Available	SLIDE, MAYTAG COIN
006	NLA		Not Available	GAGE, MOVABLE COIN
007	206152		Not Available	(W/NICKEL INSERT)
"	NLA		Not Available	PLATE, SLIDE
008	212707	3196385		Screw
009	214572		Not Available	ARM, RATCHET
010	NLA		Not Available	STUD, COIN SLIDE
011	NLA		Not Available	END BRACKET, SLIDE
012	214578			Gate For Coin Opening
013	NLA		Not Available	RETAINER, GATE

014	NLA	Not Available	RETAINER, GAGE SPRING
015	214581		Spring, Return
016	214582		Spring For Ratchet Arm
017	NLA	Not Available	PIN, GAGE ARM (LWR)
018	214584	Not Available	HOUSING FOR COIN SLIDE
019	214589		Clip, Spring
020	NLA	Not Available	PLUG, COIN OPENING
021	214594	Not Available	BASE INSERT FOR HOUSING
022	NLA	Not Available	BODY, SLIDE
023	214596		Spring For Lower Gage Arm
024	214597		Screw
025	NLA	Not Available	SET SCREW, GAGE
026	NLA	Not Available	INSERT, DIME
027	214648		Decal, Coinage
028	NLA	Not Available	ARM, GAGE (LWR)
029	NLA	Not Available	INSERT, NICKEL

