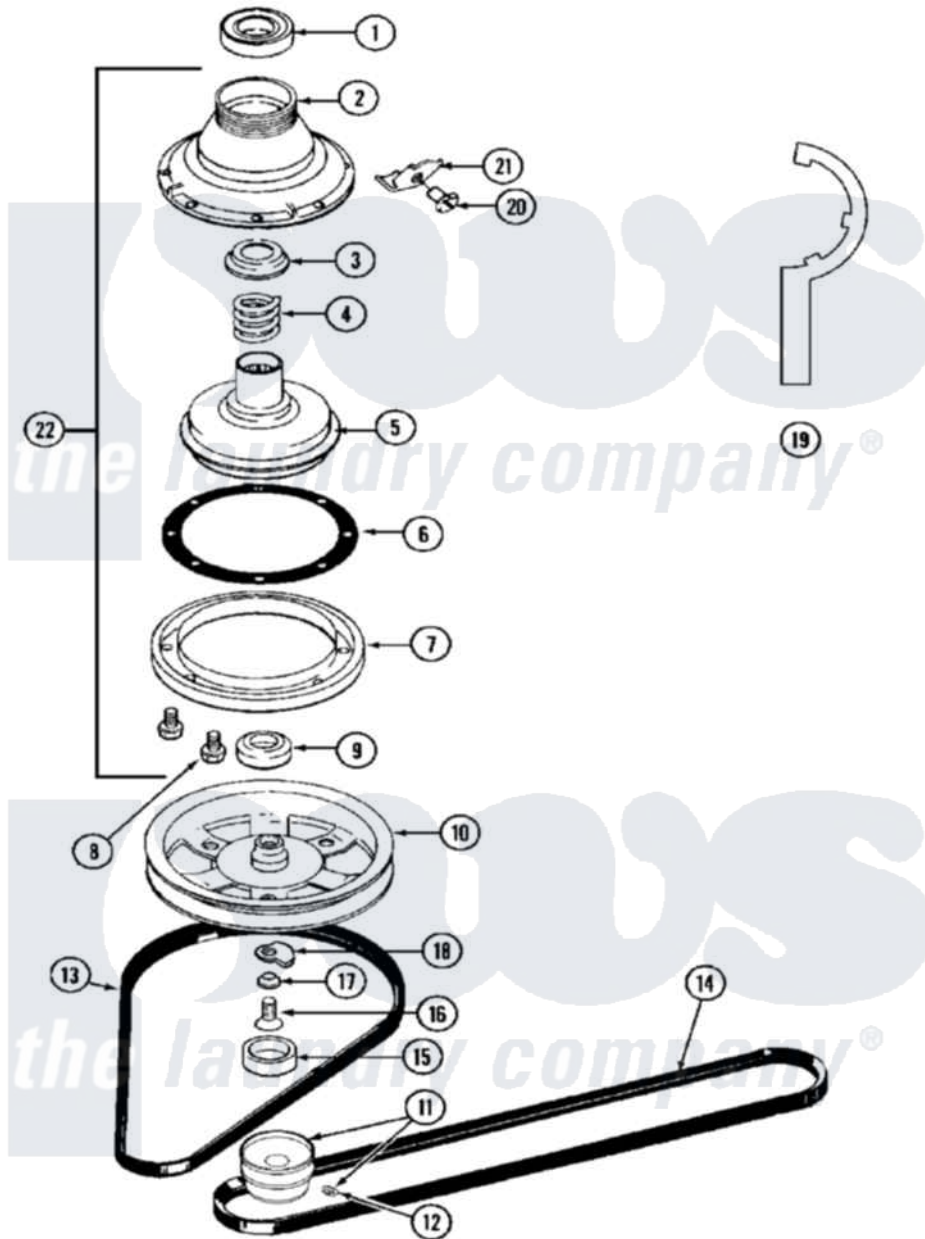


Maytag MAT25CSAGL 10 - BASE/BRAKE & ROTOR



Maytag Commercial Maytag MAT25CSAGL Washer Parts Parts Diagram 10 - BASE/BRAKE & ROTOR
 Click on the part number to view part

Item	Original Part Number	Replaced By	Status	Part Description
001	Y200720	22003441		Bearing, Rear
002	211045	6-2011900		Brake Asse
003	211039	6-2011900		Brake Asse
004	211041	6-2011900		Brake Asse
005	201126	6-2011900		Brake Asse
006	211042	6-2011900		Brake Asse
007	211043	6-2011900		Brake Asse
008	211000			SCREW, BRAKE DRUM (HEX HEAD)
009	200835			Bearing, Brake Rotor
010	211059	6-2301530		Pulley
011	200816	6-2008160		Pulley- MO
012	Y053241			Set Screw, Motor Pulley
013	211948			V Belt, Drive Pulley
014	211451			Belt, Pump
015	NLA		Not Available	CAP, OIL RETAINER
016	211375	681582		Screw

017	211090	22003555	Washer, Stop Lug
018	211089		Lug, Stop Pulley
019	Y038315	038315	Tool
020	213326		Bolt, Sems Retaining Clip
021	213325		Clip, Retaining
022	201190	6-2011900	Brake Asse

