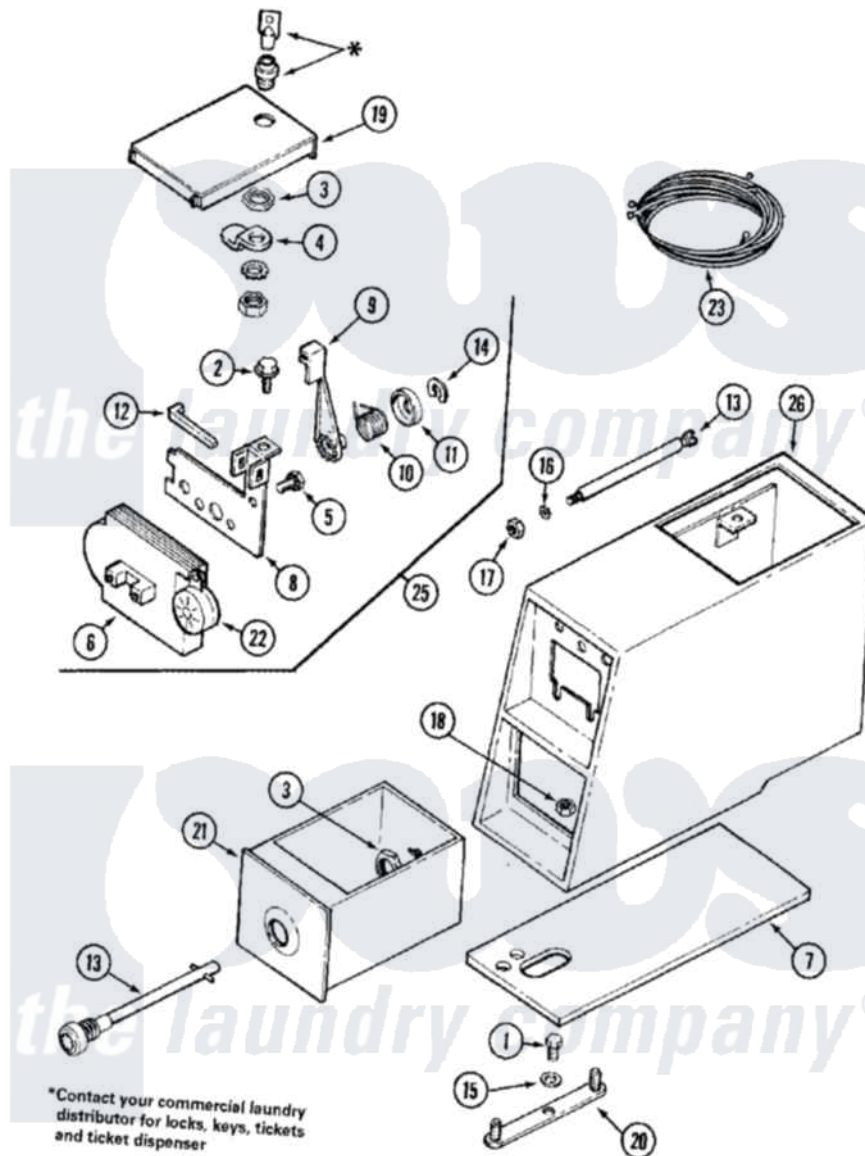


Maytag MAT25CSBIL 03 - CS CONTROL CENTER



Maytag [Commercial Maytag MAT25CSBIL Washer Parts](#) Parts Diagram 03 - CS CONTROL CENTER
 Click on the part number to view part

Item	Original Part Number	Replaced By	Status	Part Description
001	211294	90767		Screw, 8A X 3/8 HeX Washer Head Tapping
002	212276	W10116760		Screw
003	212328	W10139762		Hex Nut, 3/4-27
004	213750	W10133266		Cam-Lock
005	213966	3400014		Screw
006	214410			Label, Timer Caution
007	214660			Gasket, Control Center
008	214661			Bracket For Timer
009	214662	22001042		Pivot Arm, Timer
010	214663			Spring For Timer Lever
011	214664	22001398		Retainer, Spring---NA
012	214666	216442		Rod, Actuator
013	215559			Bolt, Coin Slide Locking
014	Y312270			Clip, Spring Retainer
015	910309			Washer, Mounting Strap
016	910387			Lockwasher, Vault Assembly

017	Y052721		Nut, Terminal Block Plate
018	Y052740	62739	Nut, Lock
019	203188L		Not Available ACCESS DOOR-ALMOND
020	NLA		Not Available STRAP, CONTROL CNTR MOUNTING
021	NLA		Not Available VAULT, COIN (ALM)
022	NLA		Not Available MOTOR, TIMER
023	NLA		Not Available WIRE HARNESS (230V-50)
024	208148		Timer
"	NLA		Not Available TIMER (220V-60)
025	206917		Not Available TIMER & ACUTATOR ASSEMBLY
026	206956L	22001405	Case, Coin Slide

the laundry company[®]

the laundry company[®]

the laundry company[®]