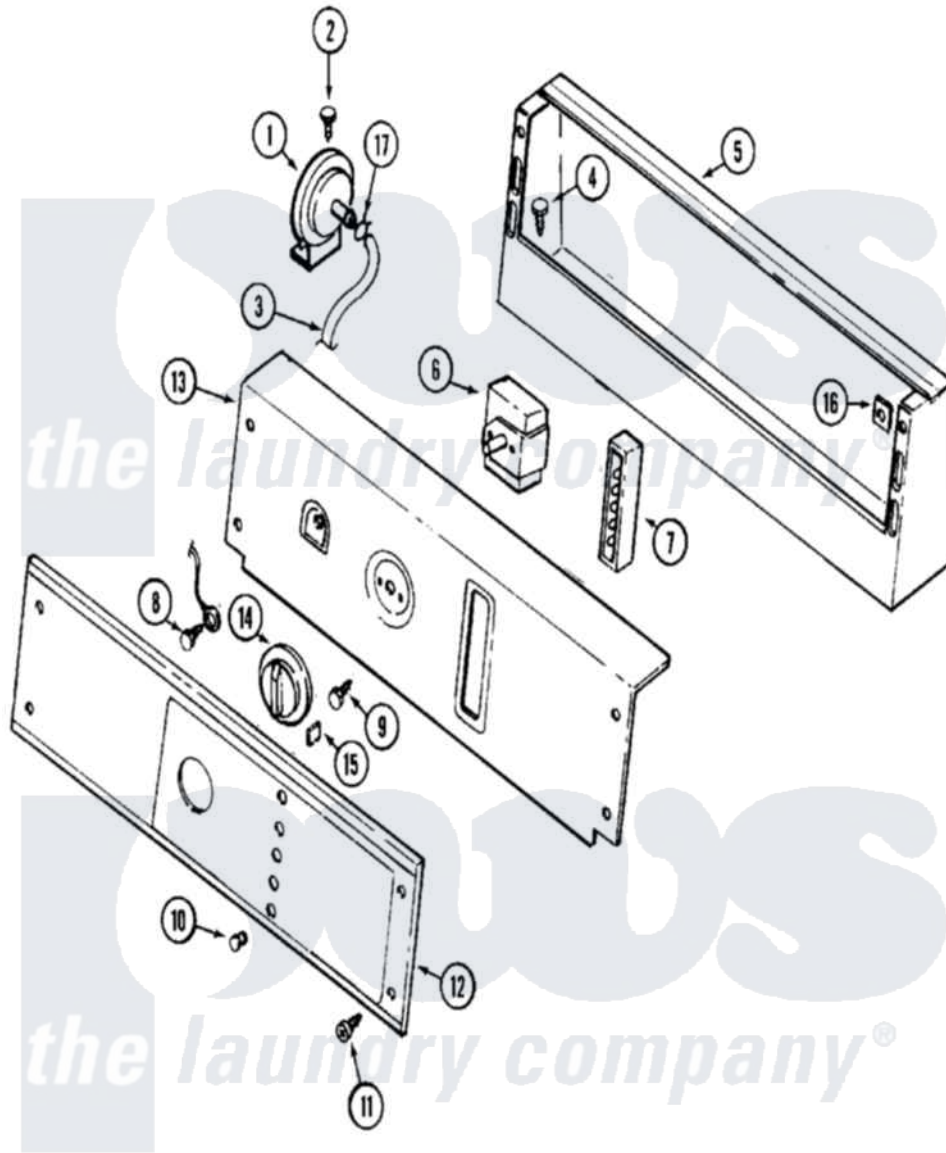


Maytag MAT25CSCAL 01 - CONTROL PANEL



Maytag [Commercial Maytag MAT25CSCAL Washer Parts](#) Parts Diagram 01 - CONTROL PANEL
 Click on the part number to view part

Item	Original Part Number	Replaced By	Status	Part Description
001	203970			Switch, Water Level
002	211294	90767		Screw, 8A X 3/8 HeX Washer Head Tapping
003	212942	22001619		Tube, Water Level Switch
004	212276	W10116760		Screw
005	206780			Control Cover Assembly
"	206780L	206780		Control Cover Assembly
"	NLA		Not Available	CONTROL COVER ASSY
006	205353			Switch, DiAl-A-Fabric
007	206881			Indicator, Light
008	Y314322	211251		Screw, Transformer
009	Y313588	488234		Screw 8-32 X 1/4
010	215564			Lens, Indicator Light
011	215506			Screw, Control Panel Overlay
012	NLA		Not Available	CONTROL PANEL WITH LENS - CS &
013	215570	22001592		(WHT)

"	NLA	Not Available	PLATE, BACKUP (ALM)
014	206894		Knob, Selector
015	215561	206894	Knob, Selector
016	215003		Fastener, Panel And Bracket
017	410296	596669	Clamp, Manifold

