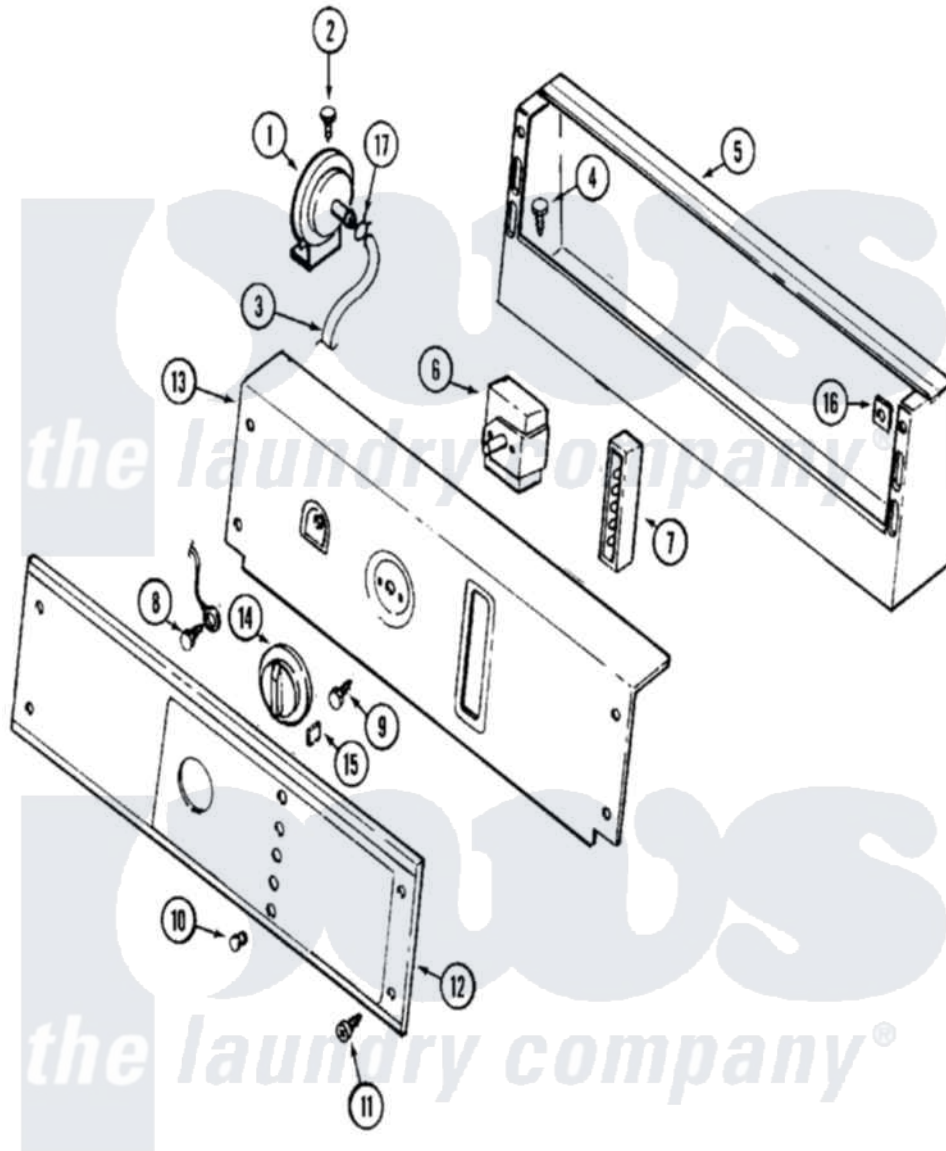


# Maytag MAT25CSCAW 01 - CONTROL PANEL



Maytag [Commercial Maytag MAT25CSCAW Washer Parts](#) Parts Diagram 01 - CONTROL PANEL  
 Click on the part number to view part

Item	Original Part Number	Replaced By	Status	Part Description
001	<a href="#">203970</a>			Switch, Water Level
002	<a href="#">211294</a>	<a href="#">90767</a>		Screw, 8A X 3/8 HeX Washer Head Tapping
003	212942	<a href="#">22001619</a>		Tube, Water Level Switch
004	212276	<a href="#">W10116760</a>		Screw
005	<a href="#">206780</a>			Control Cover Assembly
"	206780L	<a href="#">206780</a>		Control Cover Assembly
"	NLA		Not Available	CONTROL COVER ASSY
006	<a href="#">205353</a>			Switch, DiAl-A-Fabric
007	<a href="#">206881</a>			Indicator, Light
008	Y314322	<a href="#">211251</a>		Screw, Transformer
009	<a href="#">Y313588</a>	<a href="#">488234</a>		Screw 8-32 X 1/4
010	<a href="#">215564</a>			Lens, Indicator Light
011	<a href="#">215506</a>			Screw, Control Panel Overlay
012	NLA		Not Available	CONTROL PANEL WITH LENS - CS &
013	215570	<a href="#">22001592</a>		(WHT)

"	NLA	Not Available	PLATE, BACKUP (ALM)
014	<a href="#">206894</a>		Knob, Selector
015	215561	<a href="#">206894</a>	Knob, Selector
016	<a href="#">215003</a>		Fastener, Panel And Bracket
017	410296	<a href="#">596669</a>	Clamp, Manifold

