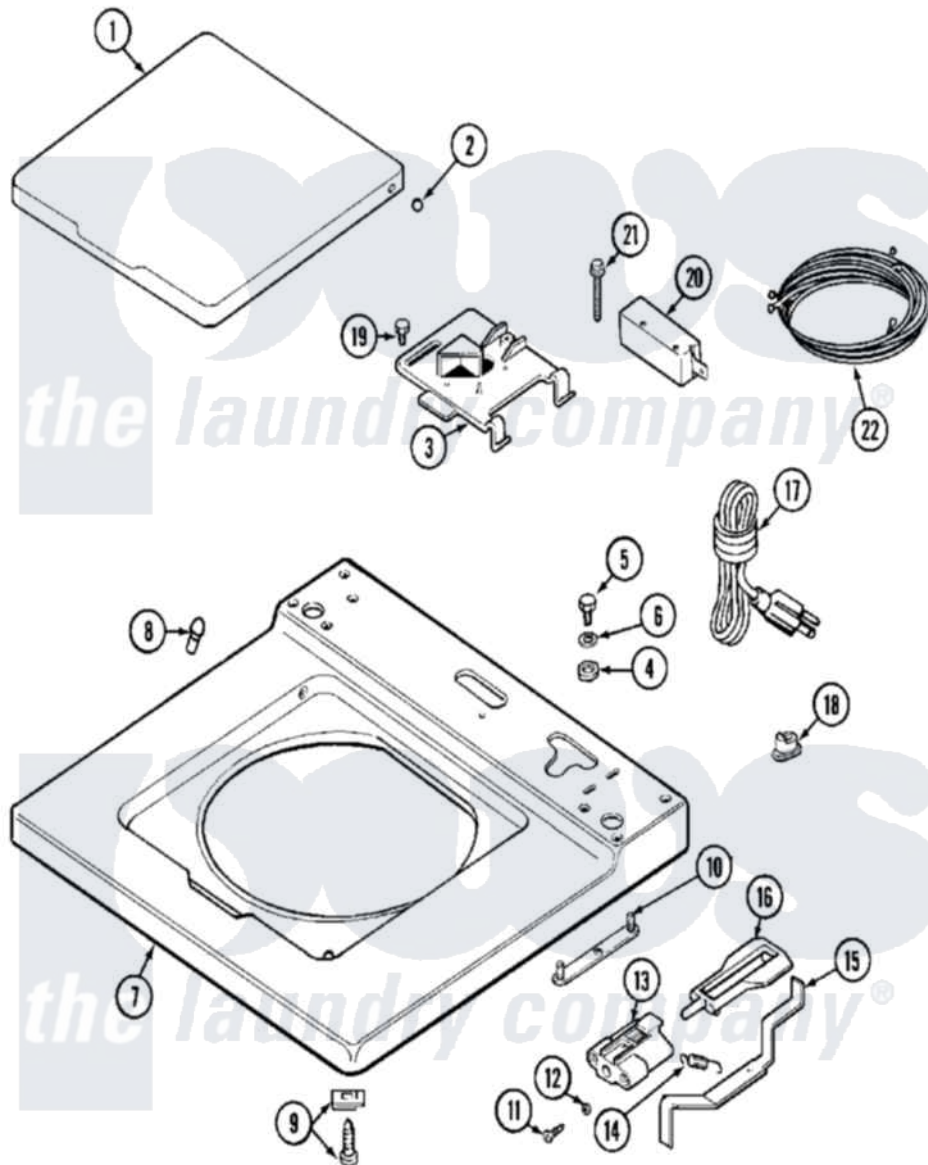


# Maytag MAT25CSCAW 02 - TOP



Maytag [Commercial Maytag MAT25CSCAW Washer Parts](#) Parts Diagram 02 - TOP  
 Click on the part number to view part

| Item | Original Part Number    | Replaced By              | Status        | Part Description                        |
|------|-------------------------|--------------------------|---------------|---|
| 001  | 214901                  |                          | Not Available | LID-WHITE                               |
| "    | NLA                     |                          | Not Available | (ALM)                                   |
| 002  | <a href="#">211726</a>  |                          |               | Hinge, Ball Lid                         |
| 003  | Y215699                 | <a href="#">22001678</a> |               | Bracket, Switch And Fuse                |
| 004  | <a href="#">Y052740</a> | <a href="#">62739</a>    |               | Nut, Lock                               |
| 005  | <a href="#">211294</a>  | <a href="#">90767</a>    |               | Screw, 8A X 3/8 HeX Washer Head Tapping |
| 006  | <a href="#">910309</a>  |                          |               | Washer, Mounting Strap                  |
| 007  | 207173                  |                          | Not Available | TOP COVER ASSEMBLY (WHT)                |
| "    | NLA                     |                          | Not Available | (ALM)                                   |
| 008  | <a href="#">212716</a>  |                          |               | Bumper, Lid                             |
| 009  | <a href="#">204445</a>  |                          |               | Screw And Fastener Assembly             |
| 010  | NLA                     |                          | Not Available | MTG. STRAP----NA                        |
| 011  | 910182                  | <a href="#">25-7809</a>  |               | Screw, No.6-20 1/2 Flthd Torx           |
| 012  | <a href="#">211500</a>  |                          |               | Washer, Bracket To Top Cover            |
| 013  | <a href="#">201068</a>  |                          |               | Plunger And Bracket                     |

|     |                        |                        |   |
|-----|------------------------|------------------------|---|
| 013 | <a href="#">204900</a> |                        | Assembly--W                                     |
| 014 | <a href="#">213720</a> |                        | Spring, Lid Switch                              |
| 015 | <a href="#">215704</a> |                        | Lever, Unbalance                                |
| 016 | <a href="#">213718</a> |                        | Plunger, Lid Switch                             |
| 017 | <a href="#">204590</a> |                        | Cord, Power                                     |
| "   | NLA                    | Not Available          | CORD, POWER                                     |
| 018 | <a href="#">211881</a> |                        | Grommet, Cord Part Not Used-<br>Gas Models Only |
| 019 | 207159                 | <a href="#">489355</a> | Screw, 8 X 1/2                                  |
| 020 | <a href="#">206415</a> |                        | Switch, Lid                                     |
| 021 | <a href="#">213501</a> |                        | Screw, No.6-20 X 1-1/8 Inch                     |
| 022 | <a href="#">207161</a> |                        | Wire Harness                                    |
| "   | NLA                    | Not Available          | WIRE HARNESS (CS)                               |

*the laundry company*<sup>®</sup>

*the laundry company*<sup>®</sup>

*the laundry company*<sup>®</sup>