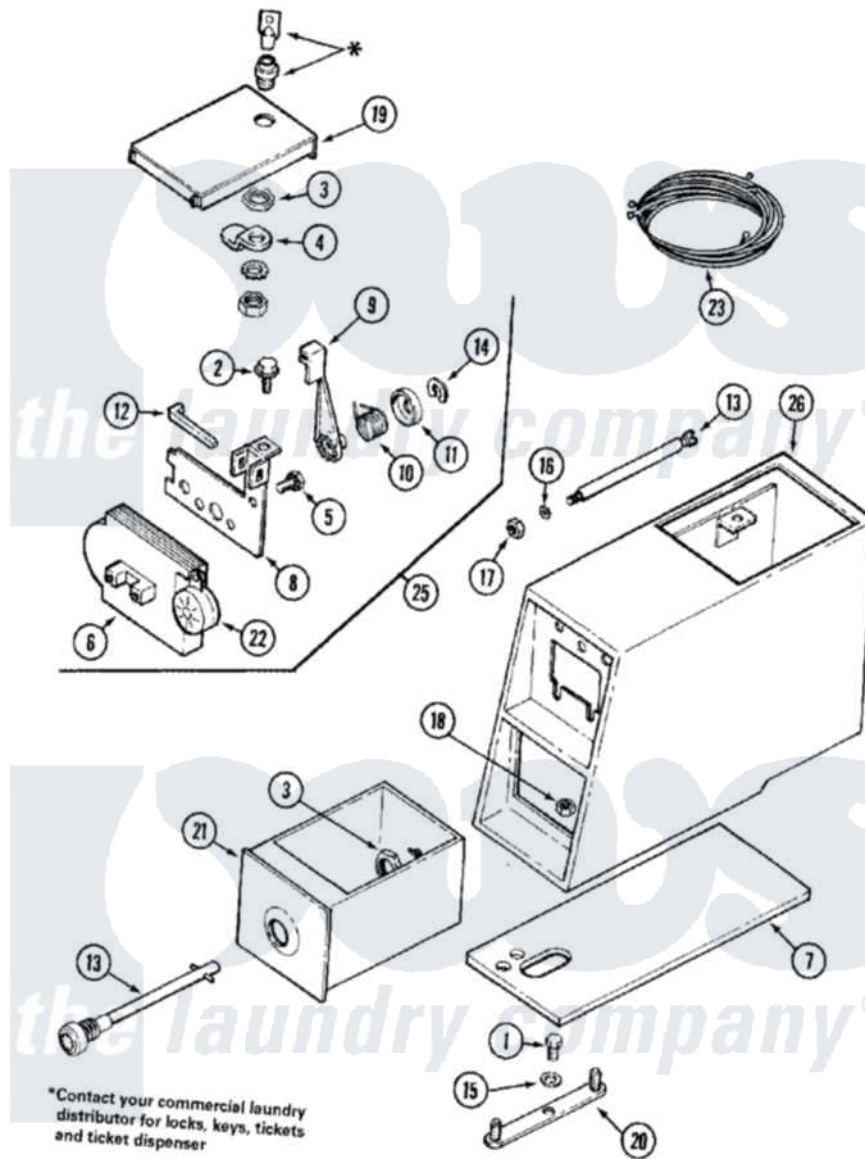


# Maytag MAT25CSCAW 03 - CS CONTROL CENTER



Maytag [Commercial Maytag MAT25CSCAW Washer Parts](#) Parts Diagram 03 - CS CONTROL CENTER  
 Click on the part number to view part

Item	Original Part Number	Replaced By	Status	Part Description
001	<a href="#">211294</a>	<a href="#">90767</a>		Screw, 8A X 3/8 HeX Washer Head Tapping
002	212276	<a href="#">W10116760</a>		Screw
003	212328	<a href="#">W10139762</a>		Hex Nut, 3/4-27
004	213750	<a href="#">W10133266</a>		Cam-Lock
005	213966	<a href="#">3400014</a>		Screw
006	<a href="#">214410</a>			Label, Timer Caution
007	<a href="#">214660</a>			Gasket, Control Center
008	<a href="#">214661</a>			Bracket For Timer
009	214662	<a href="#">22001042</a>		Pivot Arm, Timer
010	<a href="#">214663</a>			Spring For Timer Lever
011	214664	<a href="#">22001398</a>		Retainer, Spring---NA
012	214666	<a href="#">216442</a>		Rod, Actuator
013	<a href="#">215559</a>			Bolt, Coin Slide Locking
014	<a href="#">Y312270</a>			Clip, Spring Retainer
015	<a href="#">910309</a>			Washer, Mounting Strap
016	<a href="#">910387</a>			Lockwasher, Vault Assembly

017	<a href="#">Y052721</a>		Nut, Terminal Block Plate
018	<a href="#">Y052740</a>	<a href="#">62739</a>	Nut, Lock
019	203188	Not Available	TIMER ACCESS DOOR (WHT)
"	203188L	Not Available	ACCESS DOOR-ALMOND
"	203188M	Not Available	ACCESS DOOR-HARVEST WHEAT
020	NLA	Not Available	MTG. STRAP---NA
021	207913	<a href="#">208883</a>	Coin Box K
"	NLA	Not Available	BOX, COIN (ALM)
026	206956	<a href="#">22001405</a>	Case, Coin Slide
"	206956L	<a href="#">22001405</a>	Case, Coin Slide
"	206956M	<a href="#">22001405</a>	Case, Coin Slide
027	208222	<a href="#">12001906</a>	Timer

*the laundry company*<sup>®</sup>

**Howes**  
*the laundry company*<sup>®</sup>

**Howes**  
*the laundry company*<sup>®</sup>