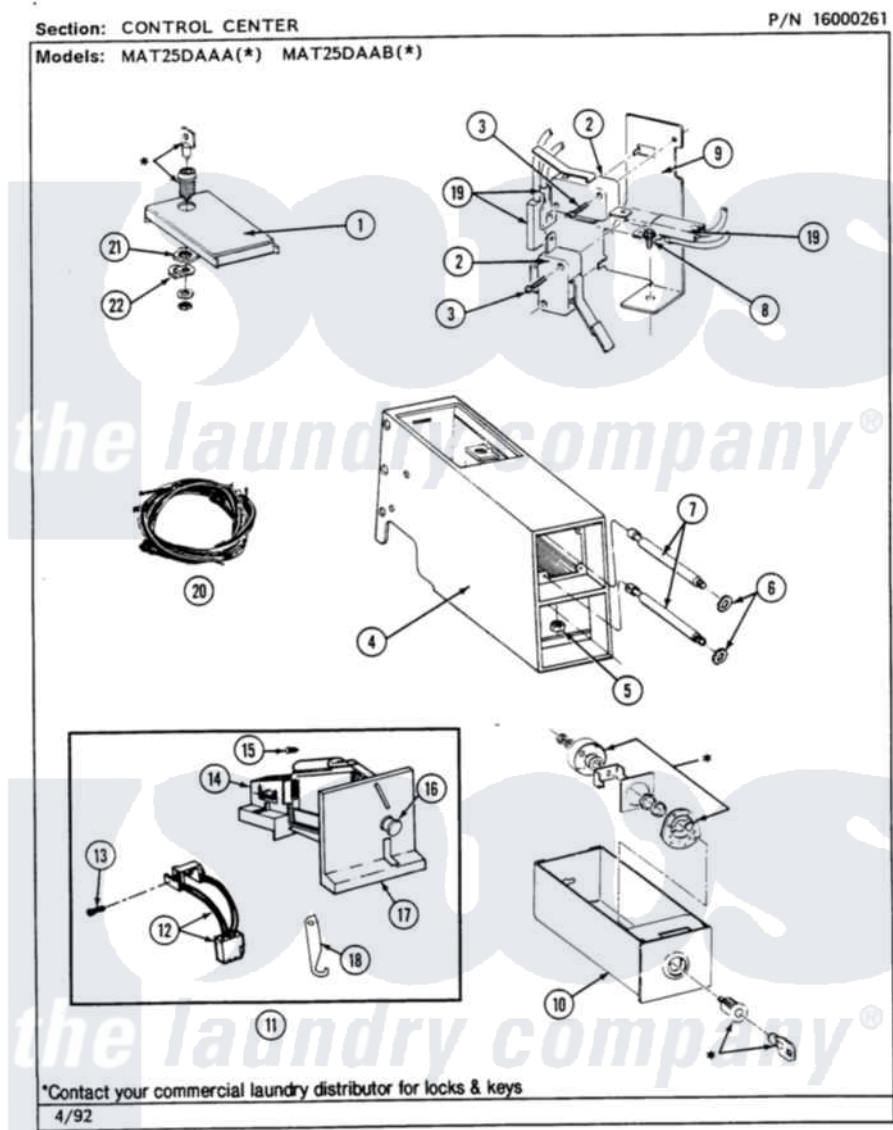


Maytag MAT25DAABL 03 - CONTROL CENTER



Maytag [Commercial Maytag MAT25DAABL Washer Parts](#) Parts Diagram 03 - CONTROL CENTER
 Click on the part number to view part

Item	Original Part Number	Replaced By	Status	Part Description
001	203188		Not Available	TIMER ACCESS DOOR (WHT)
"	203188L		Not Available	ACCESS DOOR-ALMOND
"	203188M		Not Available	ACCESS DOOR-HARVEST WHEAT
002	208042			Switch, Sensor
003	912012	3400409		Screw
004	207940	22001407		Case, Coin Slide
"	207940L	22001408		(ALM)
"	NLA		Not Available	(H. WHEAT)
005	Y052740	62739		Nut, Lock
006	910181			Lockwasher, Terminal Block
007	213035			Bolt, Locking
008	NLA		Not Available	SCREW, SENSOR SWITCH BRACKET
009	NLA		Not Available	BRACKET, SENSOR SWITCH
010	207912	208884		Coin Box K

"	207912L	208884	Coin Box K
"	NLA		Not Available (H. WHEAT)
011	207948		Coin Drop Assembly
"	NLA		Not Available (25 CENTS-CANADA)
012	206799		Optic Switch Assembly
013	314665		Screw, Switch Assembly
014	207947		Rejector, Coin
"	207949		Rejector, Coin
015	NLA		Not Available SCREW, COIN DROP ASSEMBLY
016	216009		BUTTON, RETURN
017	216010	Y208306	Kit- Mtg C
018	216011		Spring, Return Button
019	208045		Harness, Wire Sensor Switch To Circuit Brd
020	208044		Harness, Wire
021	212328	W10139762	Hex Nut, 3/4-27
022	213750	W10133266	Cam-Lock

