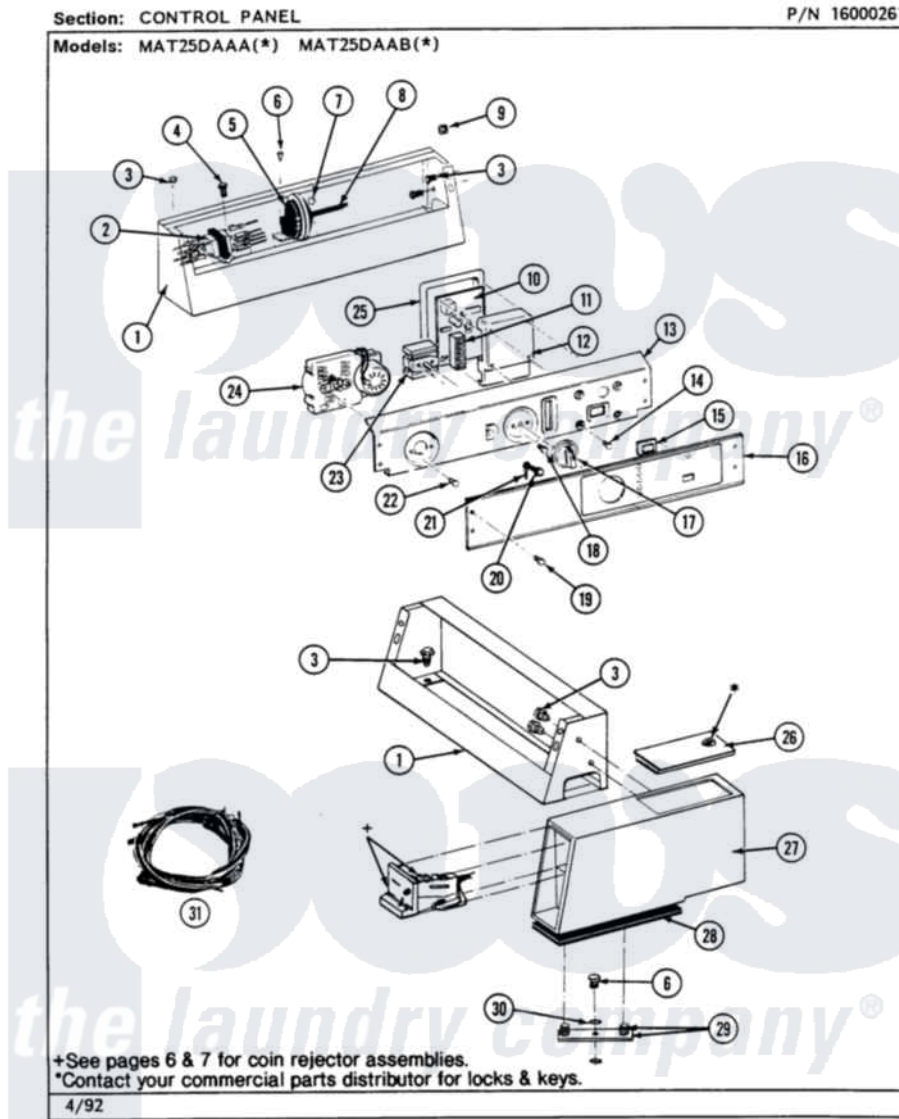


Maytag MAT25DAABW 01 - CONTROL PANEL



Maytag [Commercial Maytag MAT25DAABW Washer Parts](#) Parts Diagram 01 - CONTROL PANEL
[Click on the part number to view part](#)

Item	Original Part Number	Replaced By	Status	Part Description
001	206780			Control Cover Assembly
"	206780L	206780		Control Cover Assembly
"	NLA		Not Available	(HWT)
002	NLA		Not Available	TRANSFORMER
003	212276	W10116760		Screw
004	211294	90767		Screw, 8A X 3/8 HeX Washer Head Tapping
"	Y313559			Screw
005	203970			Switch, Water Level
006	211294	90767		Screw, 8A X 3/8 HeX Washer Head Tapping
007	410296	596669		Clamp, Manifold
008	212942	22001619		Tube, Water Level Switch
009	215003			Fastener, Panel And Bracket
010	NLA		Not Available	CIRCUIT BOARD ASSEMBLY
011	206881			Indicator, Light
012	NLA		Not Available	ENCLOSURE, CIRCUIT

012	NLA	Not Available	BOARD
013	NLA	Not Available	BRACKET (WHT)
014	312956		Screw-Igniter And Clip Mount
015	NLA	Not Available	WINDOW, DATA
016	208061	Not Available	(GREEN & AMBER LENS)
"	NLA	Not Available	PANEL, CONTROL
017	206894		Knob, Selector
018	Y313588	488234	Screw 8-32 X 1/4
019	215506		Screw, Control Panel Overlay
020	Y314322	211251	Screw, Transformer
021	205810		Wire, Ground
022	216042	22001627	Screw
023	205353		Switch, DiAl-A-Fabric
024	205448	Not Available	MOTOR, TIMER (120-60)
"	206886	12001906	Timer
"	208222	12001906	Timer
"	Y208602	Not Available	MOTOR, TIMER
025	NLA	Not Available	COVER, ENCLOSURE
026	203188	Not Available	TIMER ACCESS DOOR (WHT)
"	203188L	Not Available	ACCESS DOOR-ALMOND
"	203188M	Not Available	ACCESS DOOR-HARVEST WHEAT
027	207940	22001407	Case, Coin Slide
"	207940L	22001408	(ALM)
"	NLA	Not Available	(HWT)
028	214660		Gasket, Control Center
029	NLA	Not Available	STRAP, MOUNTING
030	910309		Washer, Mounting Strap
031	208044		Harness, Wire
"	208045		Harness, Wire Sensor Switch To Circuit Brd
"	NLA	Not Available	WIRE HARNESS

