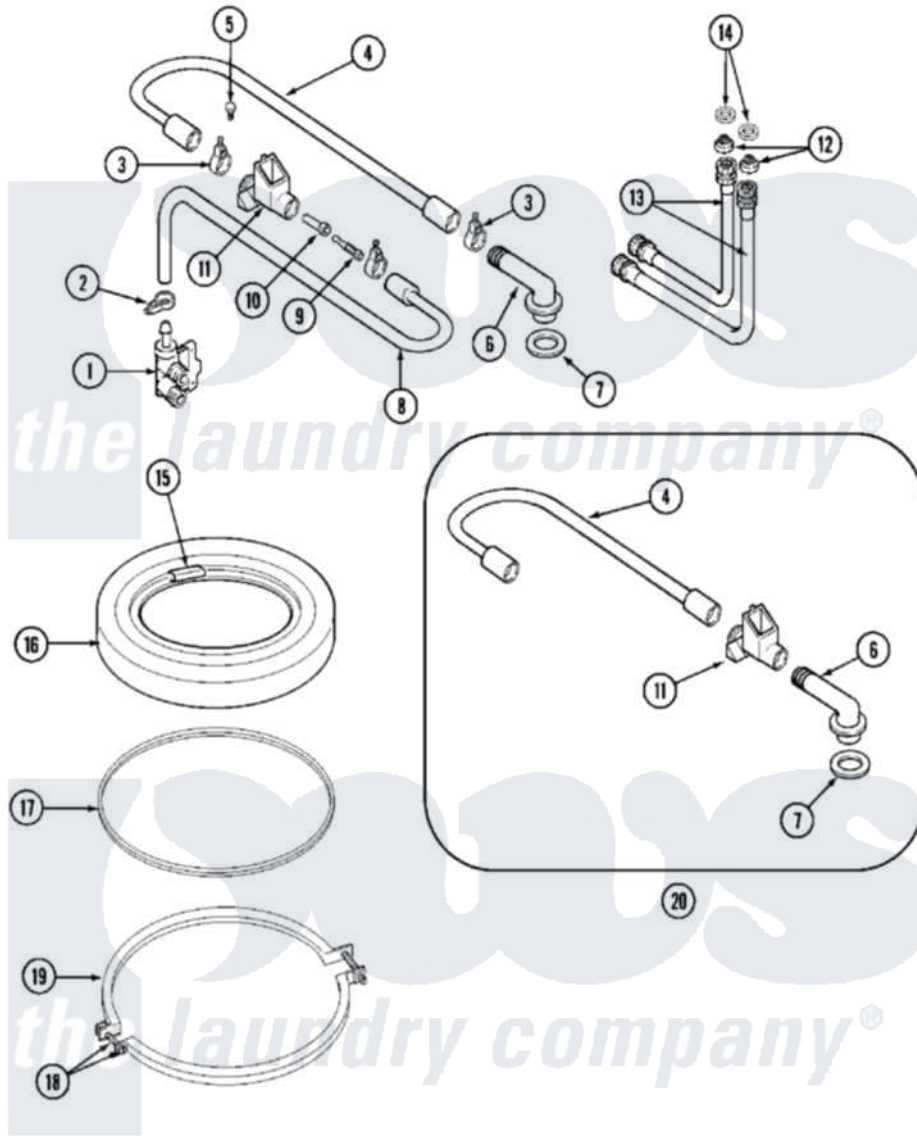


Maytag MAT26MNAAL 04 - TUB COVER



Maytag [Commercial Maytag MAT26MNAAL Washer Parts](#) Parts Diagram 04 - TUB COVER
 Click on the part number to view part

| Item | Original Part Number | Replaced By | Status | Part Description |
|------|-------------------------|--------------------------|---------------|-------------------------|
| 001 | 205614 | 205613 | | Water Valve |
| 002 | 201575 | | | Clamp, Hose |
| 003 | 202515 | 596669 | | Clamp, Manifold |
| 004 | Y215234 | | | Hose, Injector Fill |
| 005 | 312620 | | | Screw, Sems |
| 006 | 215235 | | | Tube, Injector |
| 007 | 215233 | | | Seal For Injector Tube |
| 008 | 213013 | | | Hose, Injector |
| 009 | 213015 | | | Nozzle, Injector |
| 010 | 213016 | 216201 | | Nozzle |
| 011 | 215447 | | | Sleeve For Injector |
| 012 | 200961 | 12001413 | | Strainer And Washer Kit |
| 013 | 205828 | 202860 | | Inlet Hose Assembly |
| 014 | Y013783 | | | Washer, Inlet Hose |
| 015 | 215232 | | | Bumper, Unbalance |
| 016 | 206380 | | Not Available | COVER, TUB |

017

[211232](#)

Seal, Tub Cover

018

[205529](#)

Nut And Bolt Kit For Tub Clam

019

[200846](#)

Clamp - Tub Cover

020

206683

[206680](#)

Water Injector Assembly

