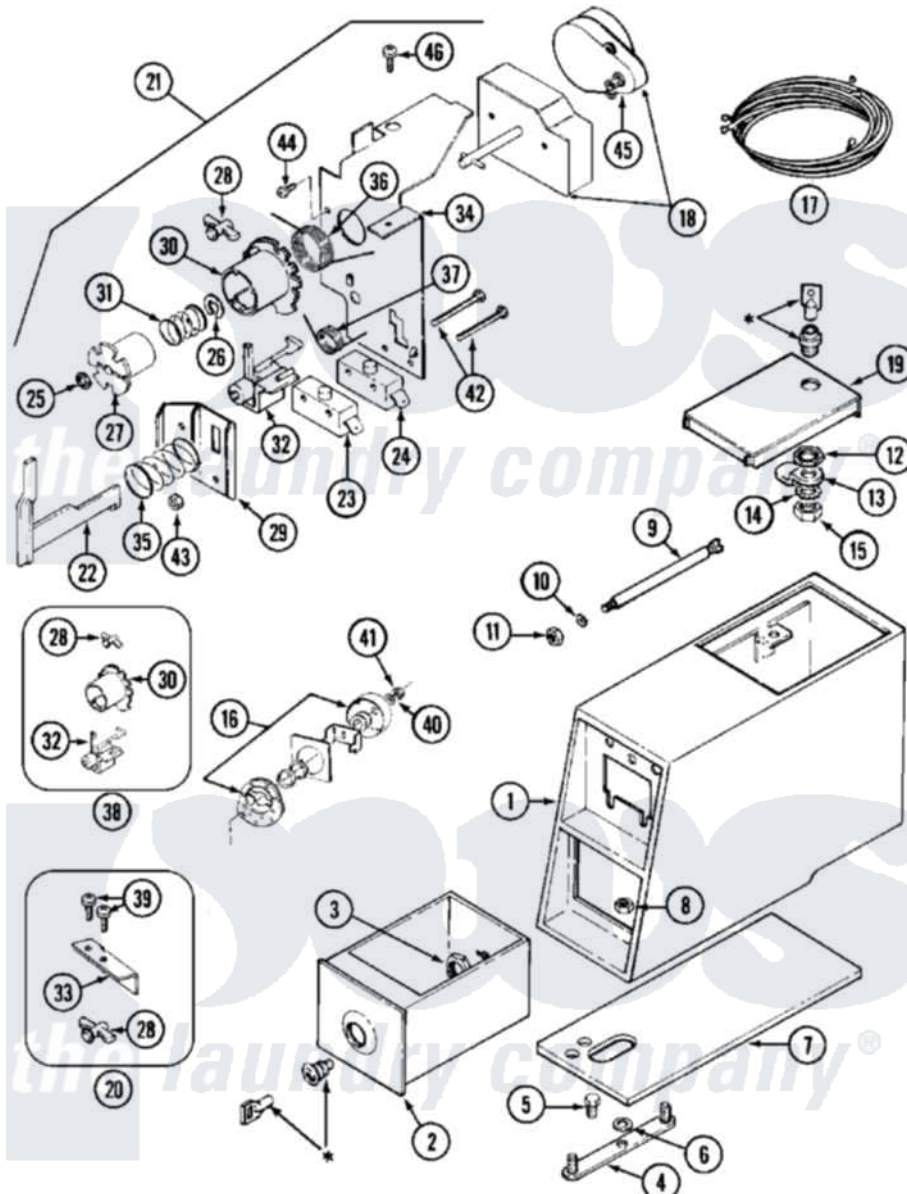


Maytag MDE10CSACL 02 - CONTROL CENTER



* CONTACT YOUR COMMERCIAL LAUNDRY DISTRIBUTOR

Maytag [Commercial Maytag MDE10CSACL Dryer Parts](#) Parts Diagram 02 - CONTROL CENTER
 Click on the part number to view part

Item	Original Part Number	Replaced By	Status	Part Description
001	206952	22001405		Case, Coin Slide
"	206952L	22001405		Case, Coin Slide
002	207913	208883		Coin Box K
"	NLA		Not Available	(ALM)
003	212328	W10139762		Hex Nut, 3/4-27
004	NLA		Not Available	STRAP, MOUNTING
005	211294	90767		Screw, 8A X 3/8 HeX Washer Head Tapping
006	910309			Washer, Mounting Strap
007	214660			Gasket, Control Center
008	Y052740	62739		Nut, Lock
009	215559			Bolt, Coin Slide Locking
010	910387			Lockwasher, Vault Assembly
011	Y052721			Nut, Terminal Block Plate
012	212328	W10139762		Hex Nut, 3/4-27
013	213750	W10133266		Cam-Lock
014	22001354	W10177242		Hex-Nut 9/32 - 28

015	22001355		Nut, Lock Cam
016	216203		Lockwasher, Double "D"
"	NLA	Not Available	LOCK CAM ASSEMBLY
017	33001195		Wire Harness, Timer
018	33001155	33002115	Timer
019	204216	Not Available	DOOR, ACCESS (WHT)
"	204216L		Door, Access
020	Y308109		Slide And Adj. Return Bracket
021	33001275		Torsion Timer Assembly
022	314337	33002968	Slider
023	305798	Not Available	BYPASS SWITCH FOR MOTOR
024	Y305799		Bypass Switch For Heater
025	211790		Lock Ring For Timer Shaft
026	Y312270		Clip, Spring Retainer
027	314330	Not Available	DRIVER FOR INDEX WHEEL (NOT INCLUDED W/KIT)
028	314335		Peg, Tine Adjustment
"	314547	Y308109	Slide And Adj. Return Bracket
029	314339		Switch And Slider Bracket
030	314546		Wheel, Index
031	211065		Spring, Index Wheel
032	314548	33002967	Actuator, Switch
033	314334		Bracket For Coin Slide
034	33001207	33002702	Timer Bracket
035	NLA	Not Available	SPRING, HELICAL
036	314331		Spring, Torsion Return
037	314332		Spring, Actuator
038	306104		Actuator Switch Kit
039	212707	3196385	Screw
040	22001354	W10177242	Hex-Nut 9/32 - 28
041	22001355		Nut, Lock Cam
042	315277		Screw
043	Y052634	701719	Nut, Hex
044	910708	488234	Screw 8-32 X 1/4
045	Y308991		Motor, Timer
046	211168	W10139210	Screw, 8-18 X 5/16

