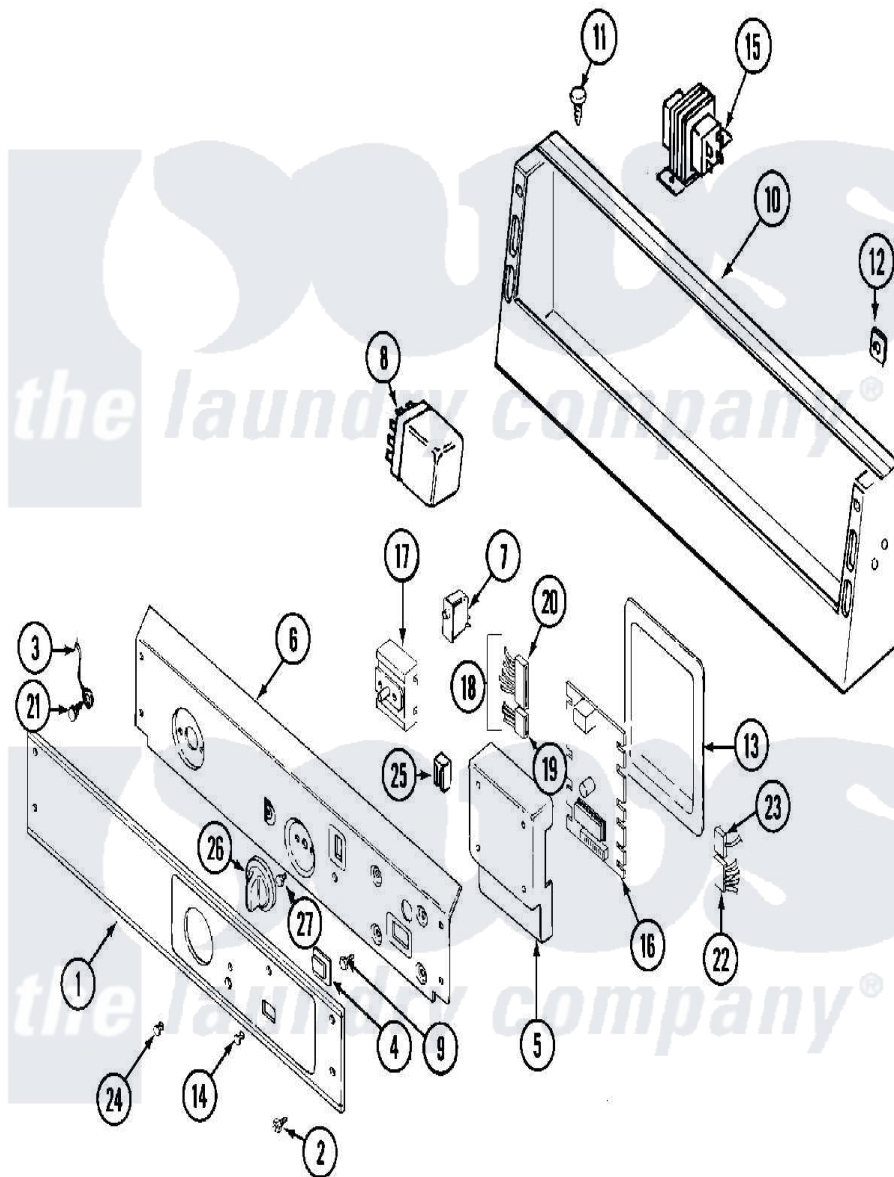


# Maytag MDE10DAADL 01 - CONTROL PANEL



Maytag [Commercial Maytag MDE10DAADL Dryer Parts](#) Parts Diagram 01 - CONTROL PANEL  
 Click on the part number to view part

Item	Original Part Number	Replaced By	Status	Part Description
001	NLA		Not Available	PANEL, CONTROL
002	<a href="#">215506</a>			Screw, Control Panel Overlay
003	<a href="#">205810</a>			Wire, Ground
004	NLA		Not Available	WINDOW, DATA ACQUISITION
005	NLA		Not Available	ENCLOSURE, CIRCUIT BOARD
006	<a href="#">315343</a>	<a href="#">31-5343</a>		Parts Manual
"	NLA		Not Available	(ALM)
007	NLA		Not Available	SWITCH, START
008	NLA		Not Available	RELAY
"	Y251119	<a href="#">3177991</a>		Screw
009	<a href="#">312956</a>			Screw-Igniter And Clip Mount
010	NLA		Not Available	CONSOLE (WHT)
011	212276	<a href="#">W10116760</a>		Screw
012	<a href="#">215003</a>			Fastener, Panel And Bracket
013	NLA		Not Available	COVER, ENCLOSURE

014	NLA		Not Available	LENS, INDICATOR
015	<a href="#">211294</a>	<a href="#">90767</a>		Screw, 8A X 3/8 HeX Washer Head Tapping
"	NLA		Not Available	TRANSFORMER
016	NLA		Not Available	BOARD, DATA ACQUISITION
017	307237	<a href="#">W10327105</a>		Switch, Cycle Selection
018	NLA		Not Available	WIRE HARNESS, MAIN
"	<a href="#">Y308580</a>			Harness, Wire
019	<a href="#">314529</a>			Connector, Edgeboard
020	NLA		Not Available	CONNECTOR, EDGEBOARD (14 PIN)
021	<a href="#">211252</a>			Screw, Ground Wire
022	<a href="#">206799</a>			Optic Switch Assembly
"	NLA		Not Available	CONNECTOR, EDGEBOARD--NA
023	<a href="#">208045</a>			Harness, Wire Sensor Switch To Circuit Brd
"	<a href="#">22001361</a>			Connector, Edgeboard
024	<a href="#">215564</a>			Lens, Indicator Light
025	204075		Not Available	PILOT LAMP (DG MODELS ONLY)
026	<a href="#">306938</a>			Knob, Selector Switch
027	<a href="#">Y313588</a>	<a href="#">488234</a>		Screw 8-32 X 1/4

